

Cooling Fans

Accessories

	Page
Fan Kit	E-138
Finger Guards	E-145
Filters	E-147
Screens	E-150
Plug Cords for Connection to Power Supply	E-151
Mounting Brackets for Centrifugal Blowers	E-152
Duct Joints	E-153
Replacement Filter Media for Cooling Modules	E-154

Introduction
Cooling Module
AC Input MRS
AC Input Variable Flow MRS
Axial Flow Fans
AC Input MU
DC Input Long-Life MDE
DC Input MDS/MD
Centrifugal Blowers
AC Input MB
DC Input MBD
Cross Flow Fans
AC Input MF
DC Input MFD
Thermostats
Accessories
Installation

Accessories

Fan Kit

The lineup includes containing all necessary accessories in one package. When ordering a fan kit product, simply specify the order code and accessory codes to the fan model name.

MRS Series Fan Kit RoHS

A fan kit consists of a fan unit certified under the UL, CSA and EN standards (Exceptions apply), as well as a finger guard (or filter) and mounting screws.

Product Number Code

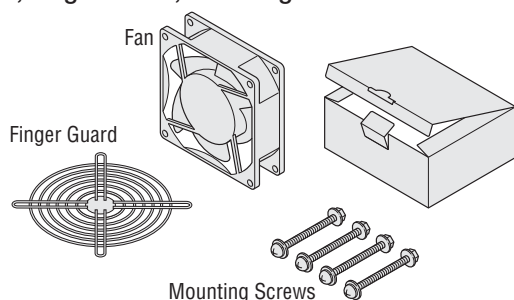
T- MRS18-BMH G

① ② ③

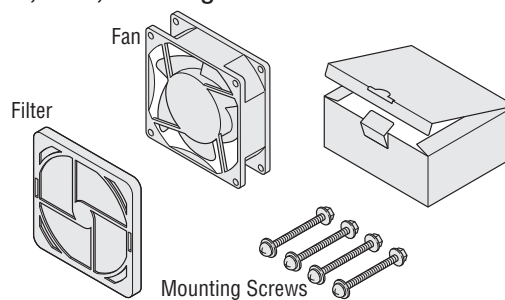
①	Fan Kit Order Code
②	Fan Model Name
③	G : With finger guard and mounting screws F : With filter and mounting screws

Package Contents

Fan, Finger Guard, Mounting Screws



Fan, Filter, Mounting Screws



Fan Kit Models and Configurations

Package Contents (Fan, Finger guard, Mounting screws)

Size	Fan Kit Model	Package Contents		
		Fan	Finger Guard	Mounting Screws
□250 mm – 120 mm Thick □9.84 in. – 4.72 in. Thick	T-MRS25-BM-G T-MRS25-DM-G T-MRS25-TM-G T-MRS25-BB-G T-MRS25-DB-G T-MRS25-TB-G T-MRS25-B-G T-MRS25-D-G T-MRS25-T-G	MRS25-BM MRS25-DM MRS25-TM MRS25-BB MRS25-DB MRS25-TB MRS25-B MRS25-D MRS25-T	FG25D	M5×20 mm (0.79 in.)
□200 mm – 90 mm Thick □7.87 in. – 3.54 in. Thick	T-MRS20-BM-G T-MRS20-DM-G T-MRS20-TM-G T-MRS20-BUL-G T-MRS20-DUL-G T-MRS20-TUL-G	MRS20-BM MRS20-DM MRS20-TM MRS20-BUL MRS20-DUL MRS20-TUL	FG20D	M5×20 mm (0.79 in.)
□180 mm – 90 mm Thick □7.09 in. – 3.54 in. Thick	T-MRS18-BMHG* T-MRS18-DMHG* T-MRS18-TMHG* T-MRS18-BHG* T-MRS18-DHG* T-MRS18-THG* T-MRS18-BTM-G T-MRS18-DTM-G T-MRS18-TTM-G T-MRS18-BUL-G T-MRS18-DUL-G T-MRS18-TUL-G	MRS18-BMH MRS18-DMH MRS18-TMH MRS18-BH MRS18-DH MRS18-TH MRS18-BTM MRS18-DTM MRS18-TTM MRS18-BUL MRS18-DUL MRS18-TUL	FG18D	M5×20 mm (0.79 in.)

Fan → Pages E-54~E-61 Finger guard → Page E-145

* Cable with connector is included with **T-MRS18-□□HG**.

● Package Contents (Fan, Finger guard, Mounting screws)

Size	Fan Kit Model	Package Contents		
		Fan	Finger Guard	Mounting Screws
□160 mm – 62 mm Thick (□6.30 in. – 2.44 in. Thick)	T-MRS16-BTM-G T-MRS16-DTM-G T-MRS16-TTM-G T-MRS16-BTA-G T-MRS16-DTA-G T-MRS16-TTA-G T-MRS16-BUL-G T-MRS16-DUL-G T-MRS16-TUL-G	MRS16-BTM MRS16-DTM MRS16-TTM MRS16-BTA MRS16-DTA MRS16-TTA MRS16-BUL MRS16-DUL MRS16-TUL	FG16D	M5×20 mm (0.79 in.)
□140 mm – 47 mm Thick (□5.51 in. – 1.85 in. Thick)	T-MRS14-TTM-G T-MRS14-TUL-G	MRS14-TTM MRS14-TUL	FG14D	M4×16 mm (0.63 in.)

Fan → Pages E-62~E-65

Finger guard → Page E-145

● Package Contents (Fan, Filter, Mounting screws)

Size	Fan Kit Model	Package Contents		
		Fan	Filter	Mounting Screws
□180 mm – 90 mm Thick (□7.09 in. – 3.54 in. Thick)	T-MRS18-BMHF* T-MRS18-DMHF* T-MRS18-TMHF* T-MRS18-BHF* T-MRS18-DHF* T-MRS18-THF* T-MRS18-BTM-F T-MRS18-DTM-F T-MRS18-TTM-F T-MRS18-BUL-F T-MRS18-DUL-F T-MRS18-TUL-F	MRS18-BMH MRS18-DMH MRS18-TMH MRS18-BH MRS18-DH MRS18-TH MRS18-BTM MRS18-DTM MRS18-TTM MRS18-BUL MRS18-DUL MRS18-TUL	FL18	M5×30 mm (1.18 in.)
□160 mm – 62 mm Thick (□6.30 in. – 2.44 in. Thick)	T-MRS16-BTM-F T-MRS16-DTM-F T-MRS16-TTM-F T-MRS16-BTA-F T-MRS16-DTA-F T-MRS16-TTA-F T-MRS16-BUL-F T-MRS16-DUL-F T-MRS16-TUL-F	MRS16-BTM MRS16-DTM MRS16-TTM MRS16-BTA MRS16-DTA MRS16-TTA MRS16-BUL MRS16-DUL MRS16-TUL	FL16	M5×30 mm (1.18 in.)

Fan → Pages E-58~E-65

Filter → Page E-147

* Cable with connector is included with **T-MRS18-□□HF**.

Size	Fan Kit Model		Package Contents		
			Fan	Finger Guard	Mounting Screws
□80 mm – 25.4 mm Thick (□3.15 in. – 1.00 in. Thick)	Connector Type*	T-MD825B-12LHG T-MD825B-24LHG T-MD825B-12SHG T-MD825B-24SHG T-MD825B-12HG T-MD825B-24HG	MD825B-12LH MD825B-24LH MD825B-12SH MD825B-24SH MD825B-12H MD825B-24H	FG8D	M4×40 mm (1.57 in.)
	Lead Wire Type	T-MD825B-12L-G T-MD825B-24L-G T-MD825B-12S-G T-MD825B-24S-G T-MD825B-12-G T-MD825B-24-G T-MD825BM-12-G T-MD825BM-24-G T-MD825BL-12-G	MD825B-12L MD825B-24L MD825B-12S MD825B-24S MD825B-12 MD825B-24 MD825BM-12 MD825BM-24 MD825BL-12		
□62 mm – 25.4 mm Thick (□2.44 in. – 1.00 in. Thick)	Connector Type*	T-MD625B-12LHG T-MD625B-24LHG T-MD625B-12SHG T-MD625B-24SHG T-MD625B-12HG T-MD625B-24HG	MD625B-12LH MD625B-24LH MD625B-12SH MD625B-24SH MD625B-12H MD625B-24H	FG6D	M3×40 mm (1.57 in.)
	Lead Wire Type	T-MD625B-12L-G T-MD625B-24L-G T-MD625B-12S-G T-MD625B-24S-G T-MD625B-12-G T-MD625B-24-G T-MD625BM-12-G T-MD625BM-24-G	MD625B-12L MD625B-24L MD625B-12S MD625B-24S MD625B-12 MD625B-24 MD625BM-12 MD625BM-24		
□52 mm – 10 mm Thick (□2.05 in. – 0.39 in. Thick)	Connector Type*	T-MDS510-12LHG T-MDS510-24LHG T-MDS510-12HG T-MDS510-24HG T-MDS510M-5HG	MDS510-12LH MDS510-24LH MDS510-12H MDS510-24H MDS510M-5H	FG5D	M3×25 mm (0.98 in.)
	Lead Wire Type	T-MDS510-12L-G T-MDS510-24L-G T-MDS510-12-G T-MDS510-24-G T-MDS510M-5-G T-MDS510M-12-G T-MDS510M-24-G	MDS510-12L MDS510-24L MDS510-12 MDS510-24 MDS510M-5 MDS510M-12 MDS510M-24		
□42 mm – 10 mm Thick (□1.65 in. – 0.39 in. Thick)	Connector Type*	T-MDS410-12LHG T-MDS410-24LHG T-MDS410-12HG T-MDS410-24HG T-MDS410M-5HG	MDS410-12LH MDS410-24LH MDS410-12H MDS410-24H MDS410M-5H	FG4D	M3×25 mm (0.98 in.)
	Lead Wire Type	T-MDS410-12L-G T-MDS410-24L-G T-MDS410-12-G T-MDS410-24-G T-MDS410M-5-G	MDS410-12L MDS410-24L MDS410-12 MDS410-24 MDS410M-5		

Fan → Pages E-90~E-97

Finger guard → Page E-145

* Cable with connector is included with connector type.

MB/MBD Series Fan Kit RoHS

A fan kit consists of a fan unit certified under the UL, CSA and EN Standards (Exceptions apply), as well as mounting brackets and finger guard or filter. Bolts and nuts to secure mounting brackets are also supplied.

This is available for the certified fans (under UL, CSA and EN) of **MB** Series shown on pages E-102 through E-119, as well as for the **MBD** series. Ordering is very easy.

Product Number Code

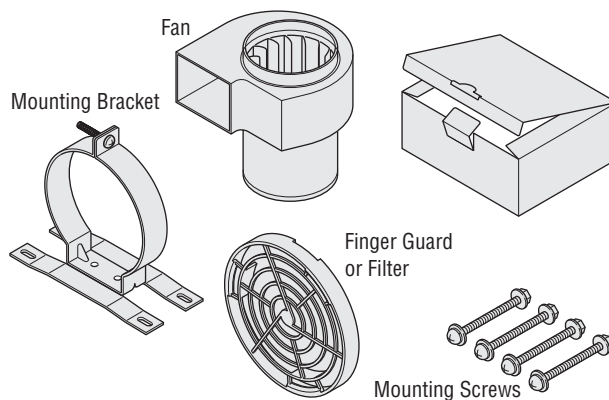
T- MB1255-D-GA

① ② ③

①	Fan Kit Order Code
②	Fan Model Name
③	GA: With finger guard, mounting bracket and mounting screws FA: With filter, mounting bracket and mounting screws

● The **MB1665**, **MB630** and **MB520** only come with mounting brackets (A).

Package Contents



Fan Kit Models and Configurations

Package Contents (Fan, Finger guard, Mounting bracket, Mounting screws)

Series	Impeller Size	Fan Kit Model	Package Contents			
			Fan	Finger Guard	Mounting Bracket	Mounting Screws
MB	φ120 mm (φ4.72 in.)	T-MB1255-B-GA T-MB1255-D-GA T-MB1255-T-GA	MB1255-B MB1255-D MB1255-T	FGB12	PAS6A	M5×20 mm (0.79 in.)
	φ100 mm (φ3.94 in.)	T-MB1040-B-GA T-MB1040-D-GA	MB1040-B MB1040-D	FGB10	PAS4B	M5×20 mm (0.79 in.)
	φ80 mm (φ3.15 in.)	T-MB840-B-GA T-MB840-D-GA T-MB840-T-GA	MB840-B MB840-D MB840-T	FGB8	PAS4B	M5×20 mm (0.79 in.)
MBD	φ120 mm (φ4.72 in.)	T-MBD12-24-GA	MBD12-24	FGB12	PAS4B	M5×20 mm (0.79 in.)
	φ100 mm (φ3.94 in.)	T-MBD10-24-GA T-MBD10-24S-GA	MBD10-24 MBD10-24S	FGB10	PAS4B	M5×20 mm (0.79 in.)
		T-MBD10-24A-GA T-MBD10-48-GA T-MBD10-48S-GA	MBD10-24A MBD10-48 MBD10-48S			
φ80 mm (φ3.15 in.)	T-MBD8-24-GA T-MBD8-24A-GA T-MBD8-24S-GA T-MBD8-48-GA T-MBD8-48S-GA	MBD8-24 MBD8-24A MBD8-24S MBD8-48 MBD8-48S	FGB8	PAS4B	M5×20 mm (0.79 in.)	

Fan → Pages E-104~E-119 Finger guard → Page E-145 Mounting bracket → Page E-152

Package Contents (Fan, Filter, Mounting bracket, Mounting screws)

Series	Impeller Size	Fan Kit Model	Package Contents			
			Fan	Filter	Mounting Bracket	Mounting Screws
MB	φ120 mm (φ4.72 in.)	T-MB1255-B-FA T-MB1255-D-FA T-MB1255-T-FA	MB1255-B MB1255-D MB1255-T	FLB12	PAS6A	M5×20 mm (0.79 in.)
	φ100 mm (φ3.94 in.)	T-MB1040-B-FA T-MB1040-D-FA	MB1040-B MB1040-D	FLB10	PAS4B	M5×20 mm (0.79 in.)
	φ80 mm (φ3.15 in.)	T-MB840-B-FA T-MB840-D-FA T-MB840-T-FA	MB840-B MB840-D MB840-T	FLB8	PAS4B	M5×20 mm (0.79 in.)
MBD	φ120 mm (φ4.72 in.)	T-MBD12-24-FA	MBD12-24	FLB12	PAS4B	M5×20 mm (0.79 in.)
	φ100 mm (φ3.94 in.)	T-MBD10-24-FA T-MBD10-24S-FA	MBD10-24 MBD10-24S	FLB10	PAS4B	M5×20 mm (0.79 in.)
		T-MBD10-24A-FA T-MBD10-48-FA T-MBD10-48S-FA	MBD10-24A MBD10-48 MBD10-48S			
φ80 mm (φ3.15 in.)	T-MBD8-24-FA T-MBD8-24A-FA T-MBD8-24S-FA T-MBD8-48-FA T-MBD8-48S-FA	MBD8-24 MBD8-24A MBD8-24S MBD8-48 MBD8-48S	FLB8	PAS4B	M5×20 mm (0.79 in.)	

Fan → Pages E-104~E-119 Filter → Page E-147 Mounting bracket → Page E-152

● Package Contents (Fan, Mounting bracket, Mounting screws)

Series	Impeller Size	Fan Kit Model	Package Contents		
			Fan	Mounting Bracket	Mounting Screws
MB	φ160 mm (φ6.30 in.)	T-MB1665-B-A T-MB1665-D-A T-MB1665-T-A	MB1665-B MB1665-D MB1665-T	PAS5A	M6×25 mm (0.98 in.)
	φ60 mm (φ2.36 in.)	T-MB630-B-A T-MB630-D-A	MB630-B MB630-D	PAS2B	M4×10 mm (0.39 in.)
	φ50 mm (φ1.97 in.)	T-MB520-B-A T-MB520-D-A	MB520-B MB520-D	PAS2B	M4×10 mm (0.39 in.)

Fan → Pages E-102~E-113 Mounting bracket → Page E-152

Finger Guards RoHS

It's very dangerous to touch fan blades when the fan is in operating.

Finger guards prevent fingers or foreign objects from entering the device.

Finger guards are mounted to the fan frame using bolts.

Material: Steel wire (**FGB8, FGB10, FGB12**: Resin)

Finish: Chrome plating (**FG915D, FG930D**: Black painted)

Components conform to safety standards: These finger guards are designed to pass tests required for devices that use fans, as stipulated by UL and CSA Standards and Electrical Appliance and Material Safety Law (Japan). However, they conform to these standards only when used with **ORIX FAN** products.

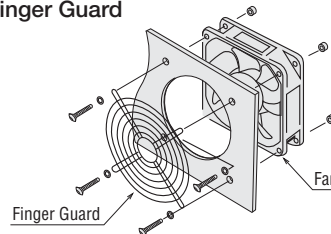


For Axial Flow Fans

For Centrifugal Blowers

For Cross Flow Fans

Installing the Finger Guard

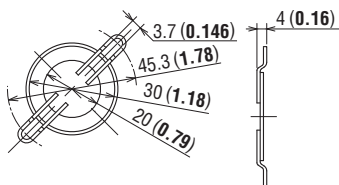


Dimensions Unit = mm (in.)

Finger Guards for Axial Flow Fans

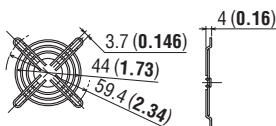
FG4D for MDS410

Conformed component to safety standards
Mass: 4.2 g (0.15 oz.) **DXF** E085



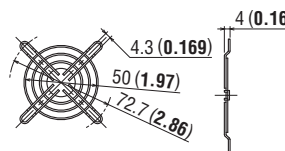
FG5D for MDS510

Conformed component to safety standards
Mass: 7.7 g (0.27 oz.) **DXF** E086



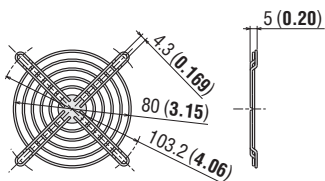
FG6D for MD625

Conformed component to safety standards
Mass: 8.3 g (0.29 oz.) **DXF** E087



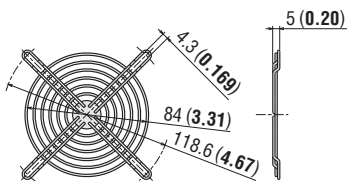
FG8D for MD825 and MU825

Conformed component to safety standards
Mass: 24 g (0.85 oz.) **DXF** E048



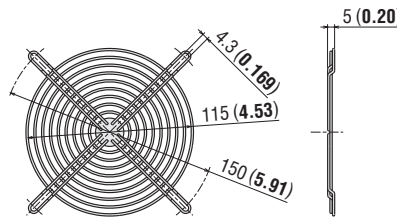
FG9D for MD925 and MU925

Conformed component to safety standards
Mass: 28 g (0.99 oz.) **DXF** E049



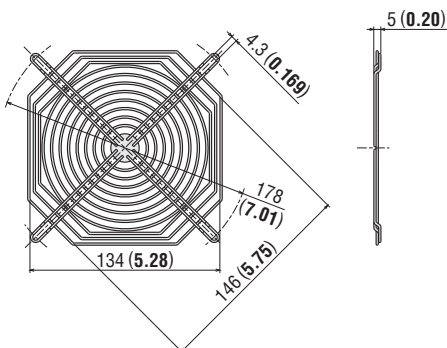
FG12D for MDE1225, MDS1225, MD1225, MU1225 and MU1238

Conformed component to safety standards
Mass: 45 g (1.59 oz.) **DXF** E051



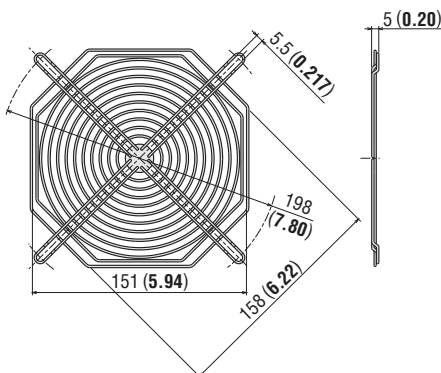
FG14D for MRS14 and MDS1451

Conformed component to safety standards
Mass: 64 g (2.3 oz.) **DXF** E052



FG16D for MRS16

Conformed component to safety standards
Mass: 75 g (2.6 oz.) **DXF** E053



Introduction

FM Cooling Module

AC Input MRS

AC Input Variable Flow MRS

AC Input MU Axial Flow Fans

DC Input Long-Life MDE

DC Input MDS/MD

AC Input MB Centrifugal Blowers

DC Input MBD

AC Input MF Cross Flow Fans

DC Input MFD

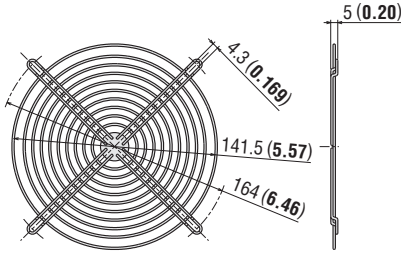
Thermostats

Accessories

Installation

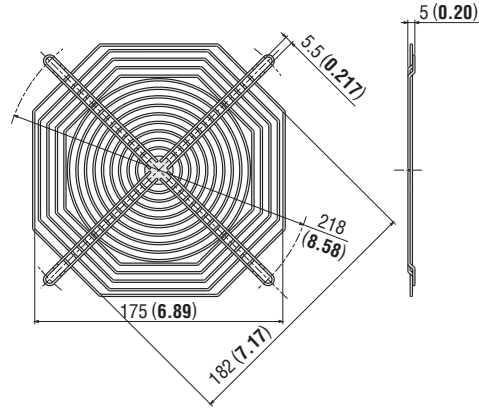
FG17D..... for **MDS1751**

Conformed component to safety standards
 Mass: 57 g (2.0 oz.) **DXF** E054



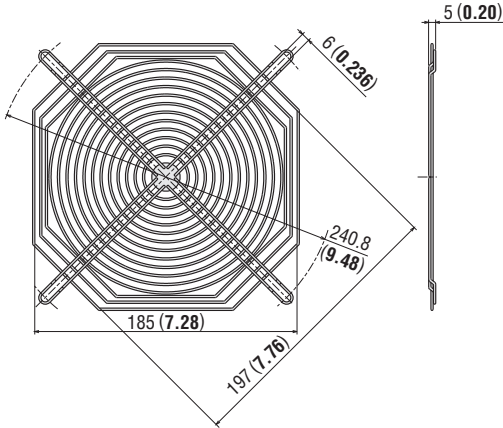
FG18D..... for **MRS18**

Conformed component to safety standards
 Mass: 95 g (3.4 oz.) **DXF** E055



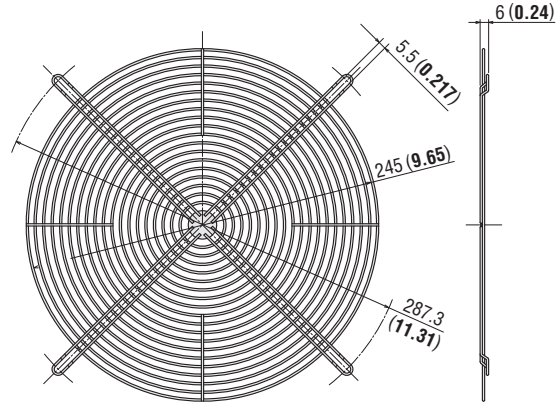
FG20D..... for **MRS20**

Conformed component to safety standards
 Mass: 105 g (3.7 oz.) **DXF** E056



FG25D..... for **MRS25**

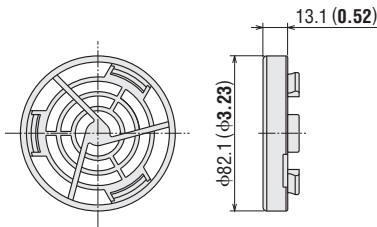
Conformed component to safety standards
 Mass: 160 g (5.6 oz.) **DXF** E107



● Finger Guards for Centrifugal Blowers

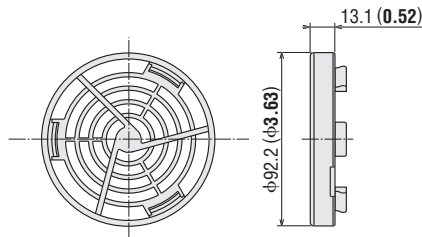
FGB8..... for **MB840** and **MBD8**

Conformed component to safety standards
 Mass: 34 g (1.20 oz.) **DXF** E065



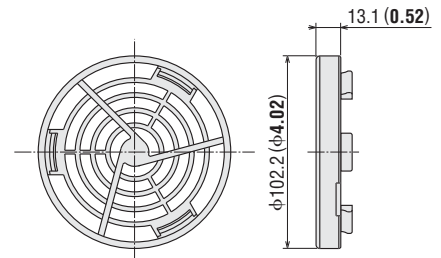
FGB10..... for **MB1040** and **MBD10**

Conformed component to safety standards
 Mass: 38 g (1.34 oz.) **DXF** E066



FGB12..... for **MB1255** and **MBD12**

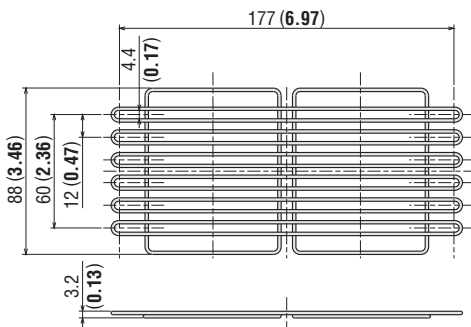
Conformed component to safety standards
 Mass: 40 g (1.41 oz.) **DXF** E067



● Finger Guards for Cross Flow Fans

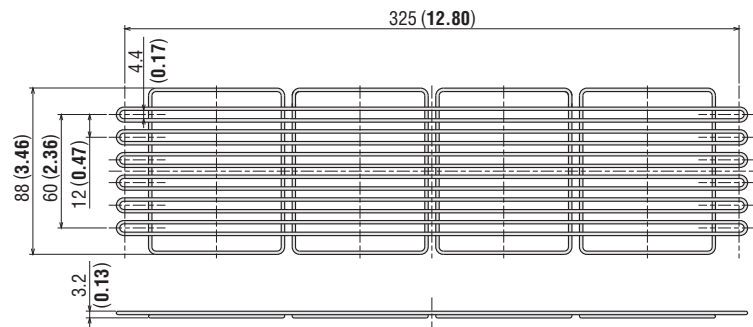
FG915D..... for **MF915(B)** and **MFD915(B)**

Conformed component to safety standards
 Mass: 45 g (1.59 oz.) **DXF** E057



FG930D..... for **MF930(B)** and **MFD930(B)**

Conformed component to safety standards
 Mass: 82 g (2.9 oz.) **DXF** E058



Filters RoHS

When using a fan to cool machinery, dust may accumulate inside the machinery after long periods of operation. Depending on the parts involved, this could cause a malfunction.

These filters prevent dust from entering the device, keeping the air inside the machinery dust free.

The filter consists of the following three parts:

- ① Guard : Plastic finger guard
Flammability grade: V-0
- ② Filter Media : Polyurethane air-cleaning filter media 20 to 45 PPI
(PPI: The number of air bubbles per inch)
- ③ Retainer : Plastic retainer for filtering material
Flammability grade: V-0

The filter media and the retainer can be attached and detached very easily without taking the fan off at maintenance.

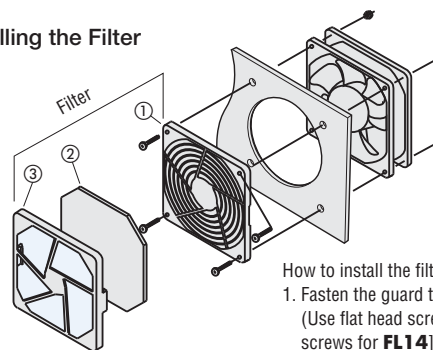


For Axial Flow Fans



For Centrifugal Blowers

Installing the Filter



- How to install the filter
1. Fasten the guard to the fan.
(Use flat head screws [round head screws for **FL14**].)
 2. Insert the filter media and attach the retainer to the guard.

Introduction

Cooling Module

FM

AC Input

MRS

AC Input

Variable Flow

MRS

Axial Flow Fans

AC Input

MU

DC Input

Long-Life

MDE

DC Input

MDS/MD

Centrifugal Blowers

AC Input

MB

DC Input

MBD

Cross Flow Fans

AC Input

MF

DC Input

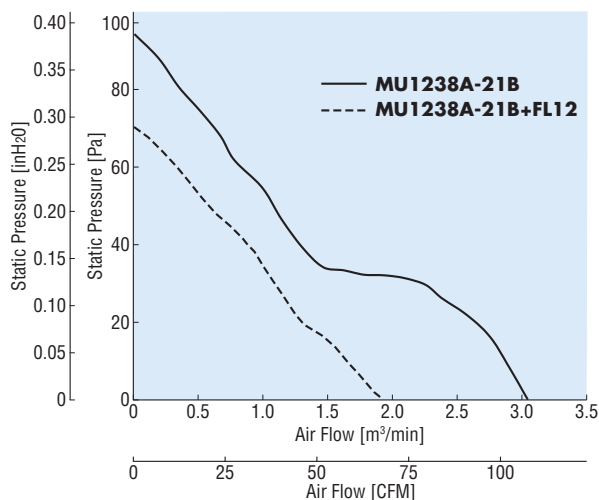
MFD

Thermostats

Accessories

Installation

Example of Air Flow – Static Pressure Characteristics When Using a Filter

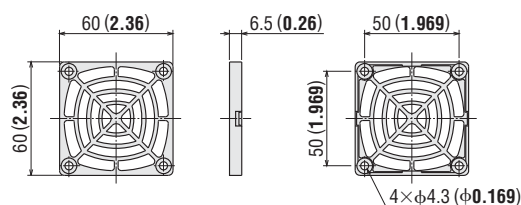


Dimensions Unit = mm (in.)

Filters for Axial Flow Fans

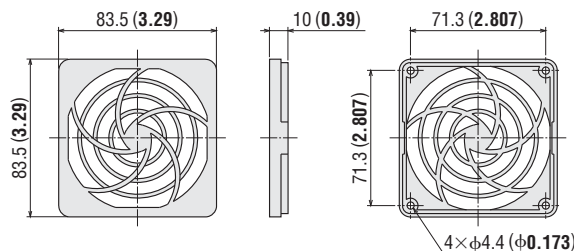
FL6..... for MD625

Mass: 11 g (0.39 oz.) (Filter media: 45 PPI)



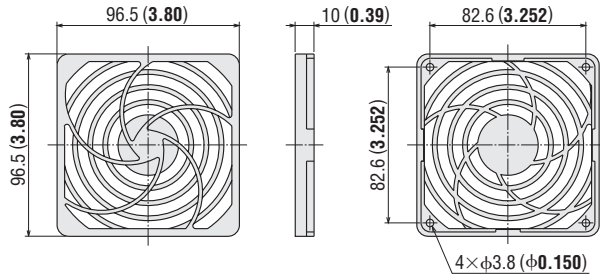
FL8..... for MD825 and MU825

Mass: 19 g (0.67 oz.) (Filter media: 20 PPI)

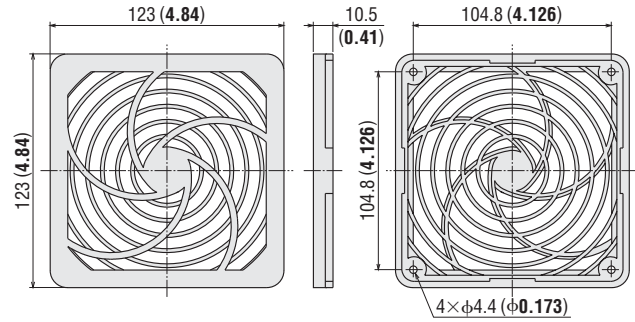


FL9..... for **MD925** and **MU925**

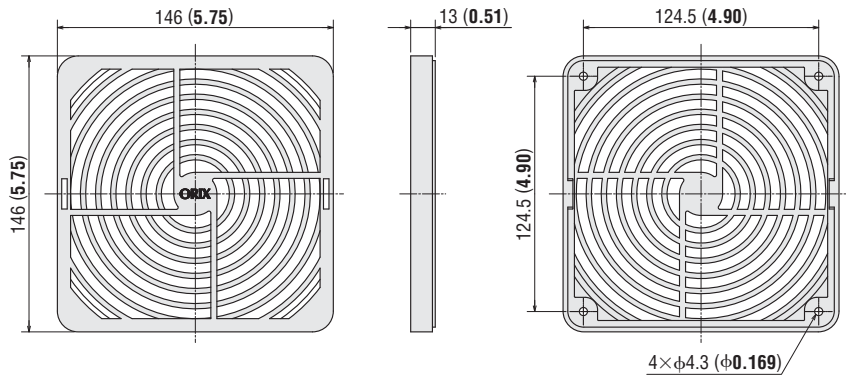
Mass: 26 g (0.92 oz.) (Filter media: 20 PPI)

**FL12**..... for **MDE1225**, **MDS1225**, **MD1225**, **MU1225** and **MUI238**

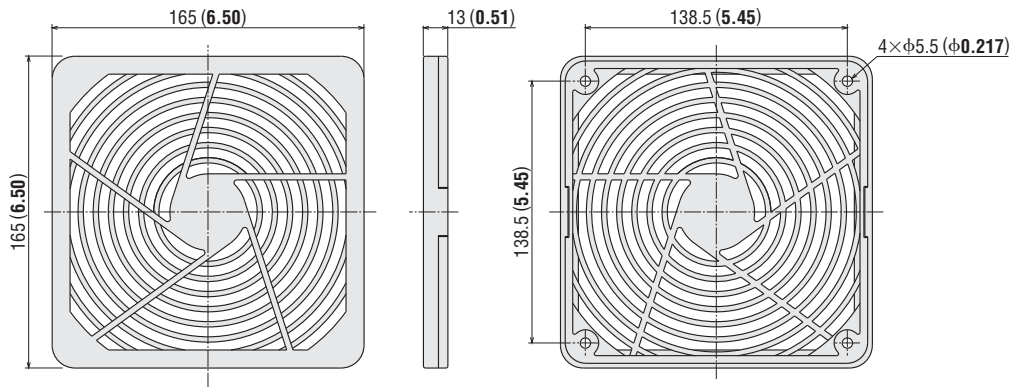
Mass: 46 g (1.62 oz.) (Filter media: 20 PPI)

**FL14**..... for **MRS14** and **MDS1451**

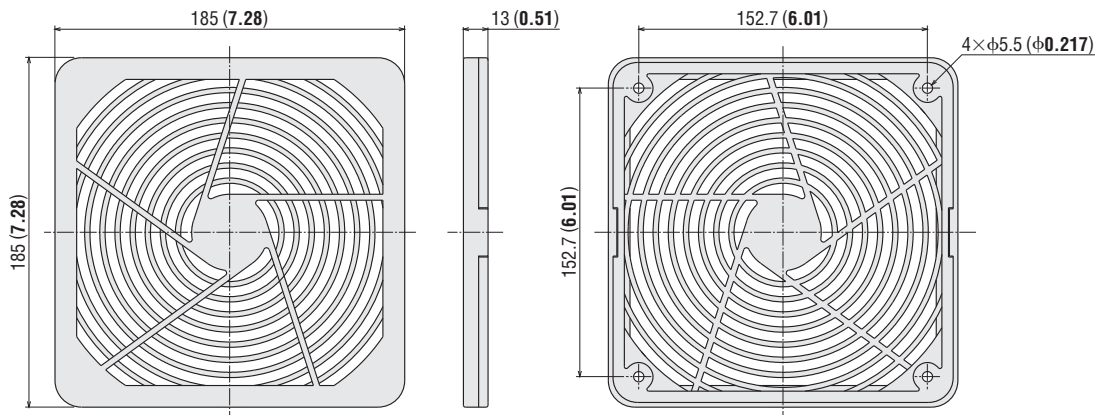
Mass: 92 g (3.25 oz.) (Filter media: 20 PPI)

**FL16**..... for **MRS16**

Mass: 126 g (4.4 oz.) (Filter media: 30 PPI)

**FL18**..... for **MRS18**

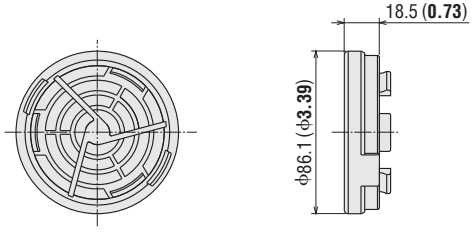
Mass: 165 g (5.8 oz.) (Filter media: 30 PPI)



● Filters for Centrifugal Blowers

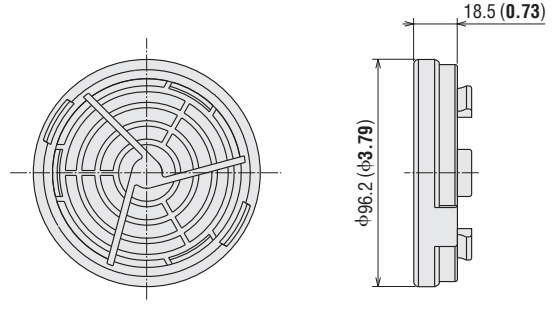
FLB8..... for **MB840** and **MBD8**

Mass: 41 g (1.45 oz.) (Filter media: 30 PPI)



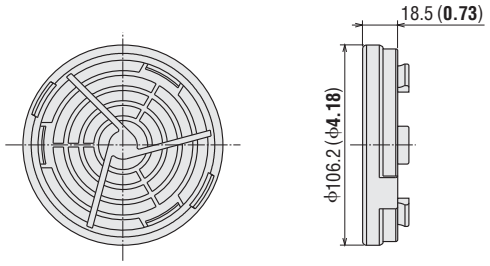
FLB10..... for **MB1040** and **MBD10**

Mass: 47 g (1.66 oz.) (Filter media: 30 PPI)



FLB12..... for **MB1255** and **MBD12**

Mass: 52 g (1.83 oz.) (Filter media: 30 PPI)



Introduction

Cooling Module
FM

AC Input
MRS

AC Input
Variable Flow
MRS

AC Input
MU
Axial Flow Fans

DC Input
Long-Life
MDE

DC Input
MDS/MD

AC Input
MB
Centrifugal Blowers

DC Input
MBD

AC Input
MF
Cross Flow Fans

DC Input
MFD

Thermostats

Accessories

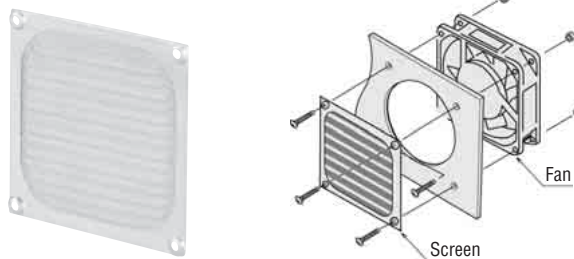
Installation

Screens (RoHS)

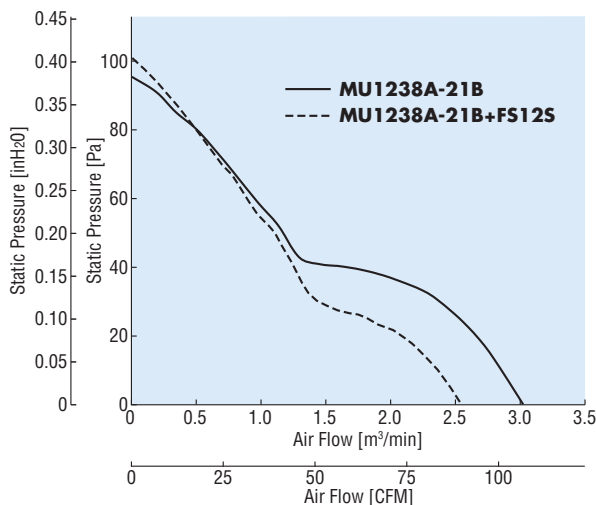
Fans are used to cool or ventilate electronic devices that may generate electromagnetic waves. These waves can escape from the fan cooling holes, causing interference to computers and measuring instruments. The screens allow the passage of air, but block electromagnetic waves.

The screen is a durable magnetic shield using an stainless mesh fixed to an aluminum frame. Screens are easily attached to the fan using screws.

Installing the Screen



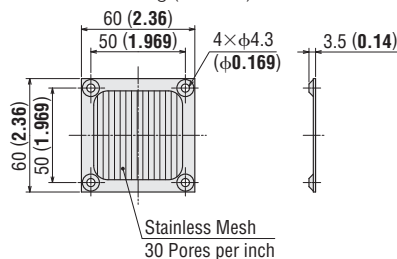
Example of Air Flow – Static Pressure Characteristics When Using a Screen



Dimensions Unit = mm (in.)

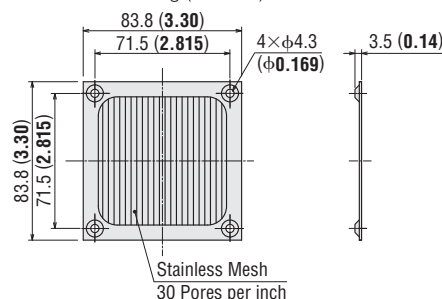
FS6S for MD625

Mass: 7 g (0.25 oz.)



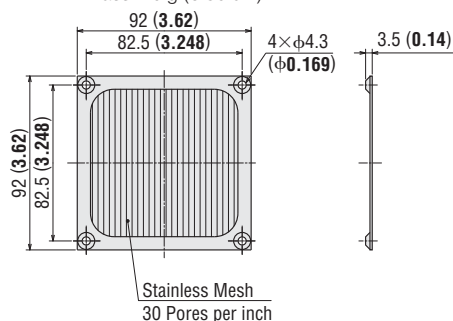
FS8S for MD825 and MU825

Mass: 15 g (0.53 oz.)



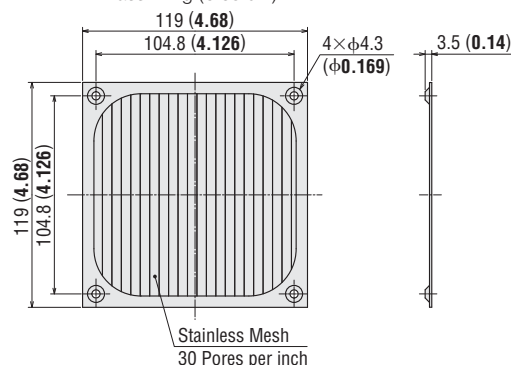
FS9S for MD925 and MU925

Mass: 16 g (0.56 oz.)



FS12S for MDE1225, MDS1225, MD1225, MU1225 and MU1238

Mass: 24 g (0.85 oz.)

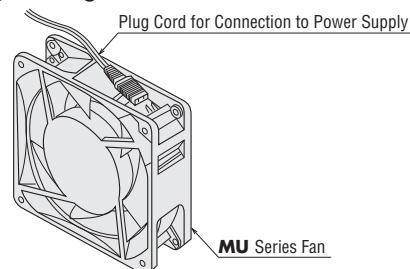


Plug Cords for Connection to Power Supply RoHS

This plug cord is for use with the **MU** Series fans, providing terminals for connection to the power supply.



Connecting the Plug Cord



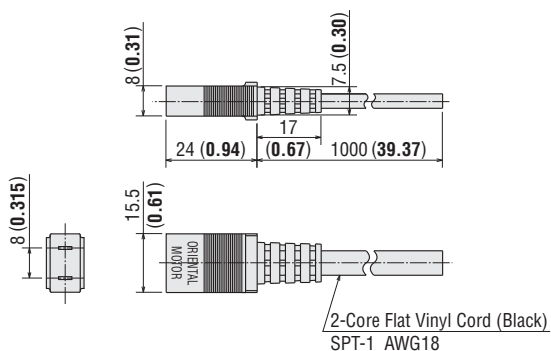
Dimensions Unit = mm (in.)

PCA2B.....for **MU** Series: 1 m (3.3 ft.)

- UL Recognized: UL File No. E46617 or E43202
CSA Certified: CSA File No. LR68564 or UL File No. E43202
(Indicates that UL has certified that the product meets CSA)

Electrical Appliance and Material Safety Law (Japan):

The product is categorized as part of the special electrical appliances and materials and is subject to compliance tests performed by the Japan Electrical Safety and Environment Technology Laboratories (JET).



Mounting Brackets for Centrifugal Blowers RoHS

Mounting bracket using the motor case of the centrifugal blower.

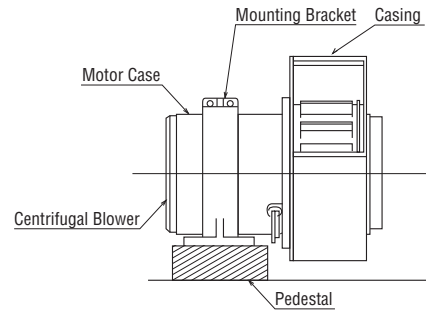
Material: **PAS2B, PAS4B**: Steel

PAS6A, PAS5A: Aluminum alloy

Color : Dark gray



Installing the Mounting Bracket

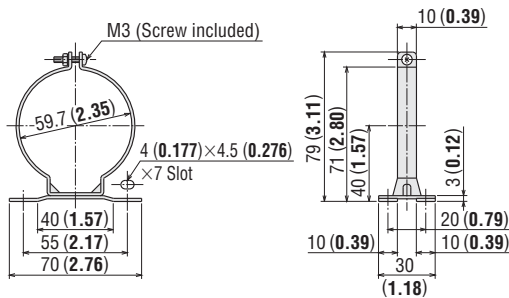


- A pedestal must be used when mounting the blower so that the casing does not touch the mounting surface.

■ Dimensions Unit = mm (in.)

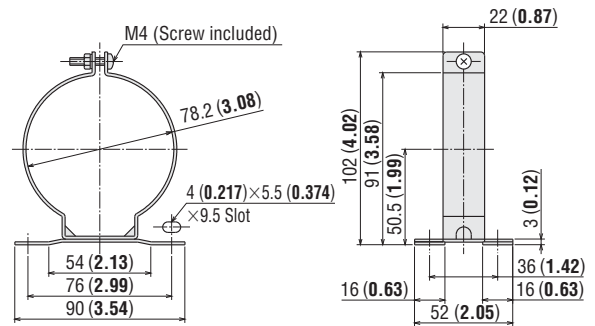
PAS2B..... for MB520 and MB630

Mass: 52 g (1.83 oz.) DXF E088



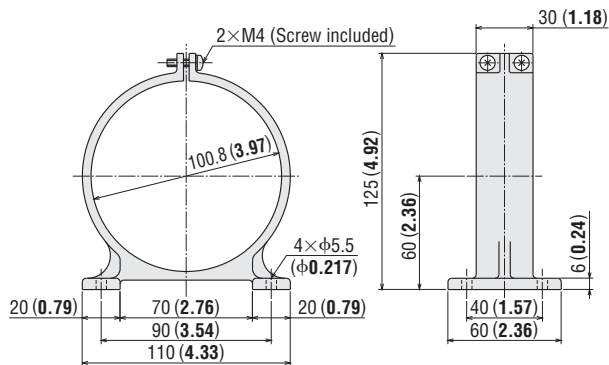
PAS4B..... for MB840, MB1040, MBD8, MBD10 and MBD12

Mass: 125 g (4.4 oz.) DXF E089



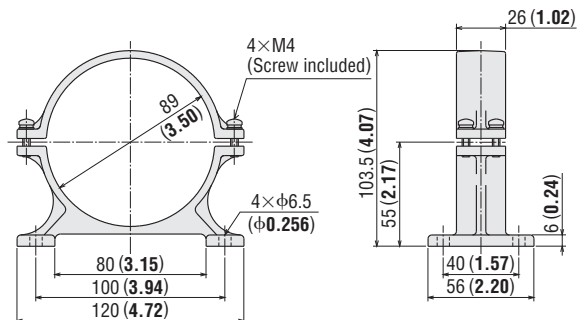
PAS6A..... for MB1255

Mass: 177 g (6.2 oz.) DXF E090



PAS5A..... for MB1665

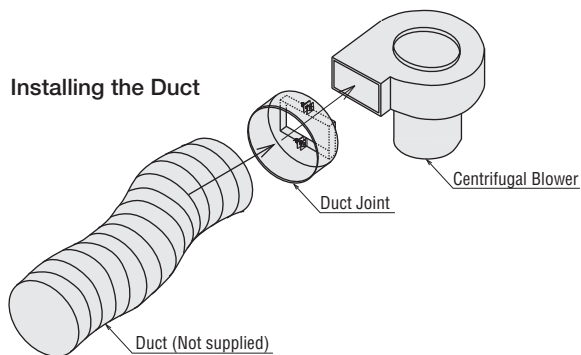
Mass: 156 g (5.5 oz.) DXF E091



Duct Joints RoHS

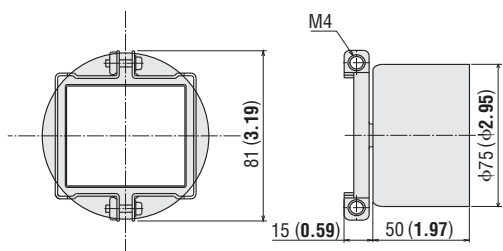
Joint for connecting the centrifugal blower outlet and duct.

Material : Steel
Color : Dark gray

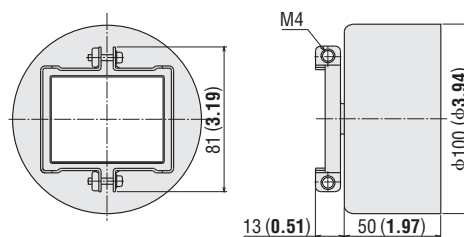


■ Dimensions Unit = mm (in.)

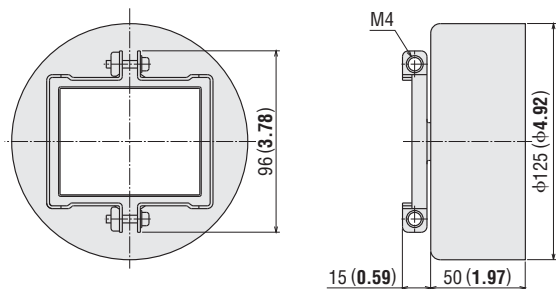
FD8..... for **MB840** and **MBD8** Mass: 173 g (6.1 oz.) DXF E092



FD10..... for **MB1040** and **MBD10** Mass: 244 g (8.6 oz.) DXF E093



FD12..... for **MB1255** and **MBD12** Mass: 331 g (11.7 oz.) DXF E094



Replacement Filter Media for Cooling Modules RoHS

This filter media is installed inside the cooling module. It is recommended that the filter media be checked periodically for clogging because clogged media will cause the cooling capacity to drop.

● Filter Media for IP55

Model		Applicable Model		Number of Media
FMXAC-D	FM Series	Dimensions 209 mm×226 mm (8.23 in.×8.90 in.)	IP55	5
FMXAC-E	FM Series	Dimensions 157 mm×170 mm (6.18 in.×6.69 in.)	IP55	5
FMXAC-F	FM Series	Dimensions 129 mm×134 mm (5.08 in.×5.28 in.)	IP55	5

● Filter Media for IP43

Model		Applicable Model		Number of Media
FMXAB-D	FM Series	Dimensions 209 mm×226 mm (8.23 in.×8.90 in.)	IP43	5
FMXAB-E	FM Series	Dimensions 157 mm×170 mm (6.18 in.×6.69 in.)	IP43	5
FMXAB-F	FM Series	Dimensions 129 mm×134 mm (5.08 in.×5.28 in.)	IP43	5

- These filter media apply to both fan and filter panels, and filter panels.
- These filter media are the same as those supplied with each product.

