

Induction Motors

1 W (1/750 HP)

Frame Size: □ 1.65 in. (□ 42 mm)



(Gearhead Sold Separately)

Specifications — Continuous Rating



Model	Output Power		Voltage	Frequency	Current	Starting Torque		Rated Torque		Rated Speed	Capacitor	
	HP	W	VAC	Hz	A	oz-in	mN·m	oz-in	mN·m	r/min	μF	
Upper Model Name: Pinion Shaft Type Lower Model Name (): Round Shaft Type ○P OIK1GN-AUL (OIK1A-AUL)	1/750	1	Single-Phase	115	60	0.08	1.13	8	1.13	8	1200	1.0

○P Impedance protected.

● Details of Safety Standard → Page G-2

Gearhead (Sold Separately)

● Parallel Shaft

Gearhead Model	Gear Ratio
OGN□KA	3~180

● Enter the gear ratio in the box (□) within the model name.

Gearmotor — Torque Table

Unit = Upper values: lb-in / Lower values: N-m

Model	Speed r/min	600	500	360	300	240	200	144	120	100	72	60	50	36	30	24	20	18	15	12	10
	Gear Ratio	3	3.6	5	6	7.5	9	12.5	15	18	25	30	36	50	60	75	90	100	120	150	180
OIK1GN-AUL / OGN□KA	0.168	0.2	0.28	0.34	0.43	0.51	0.64	0.77	0.97	1.15	1.41	1.68	2.3	2.8	3	3.7	4.1	5	6.2	7.5	
	0.019	0.023	0.032	0.039	0.049	0.058	0.073	0.088	0.11	0.13	0.16	0.19	0.26	0.32	0.35	0.42	0.47	0.57	0.71	0.85	

● Gearheads are sold separately. Decimal gearheads are not available for 1W motors.

● Enter the gear ratio in the box (□) within the model name. A colored background indicates gear shaft rotation in the same direction as the motor shaft; a white background indicates rotation in the opposite direction.

● The speed is calculated by dividing the motor's synchronous speed (60 Hz: 1800 r/min) by the gear ratio. The actual speed is 2~33% less than the displayed value, depending on the size of the load.

Permissible Overhung Load and Permissible Thrust Load

Motor (Round shaft type) → Page A-11

Gearhead → Page A-11

Permissible Load Inertia J for Gearhead

→ Page A-12

Dimensions Scale 1/4, Unit = inch (mm)

Mounting screws are included with gearheads. Dimensions for screws → A-223

Lead Wire Type

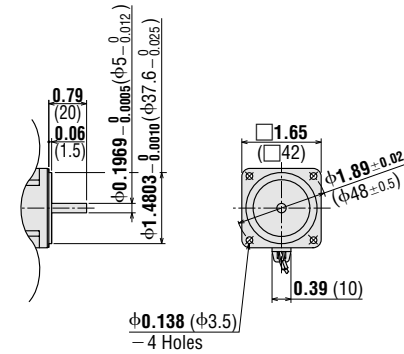
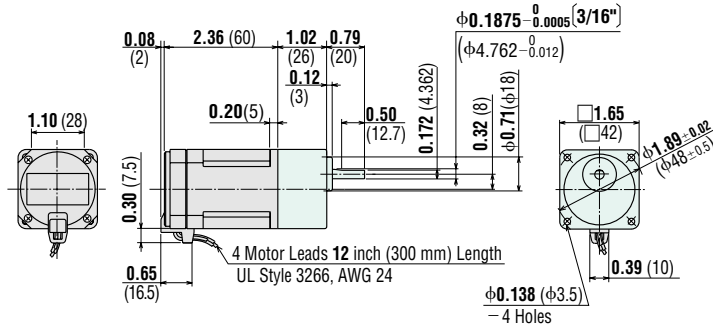
Motor
OIK1GN-AUL
 Weight: 0.66 lb. (0.3 kg)

Gearhead
0GN□KA
 Weight: 0.44 lb. (0.2 kg)

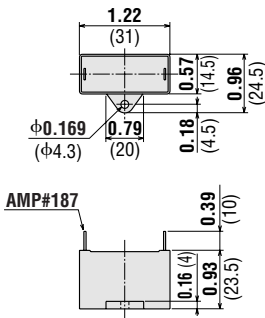
DXF A001U (**0GN3KA** ~ **180KA**)

Round Shaft Type
OIK1A-AUL
 Weight: 0.66 lb. (0.3 kg)

DXF A372



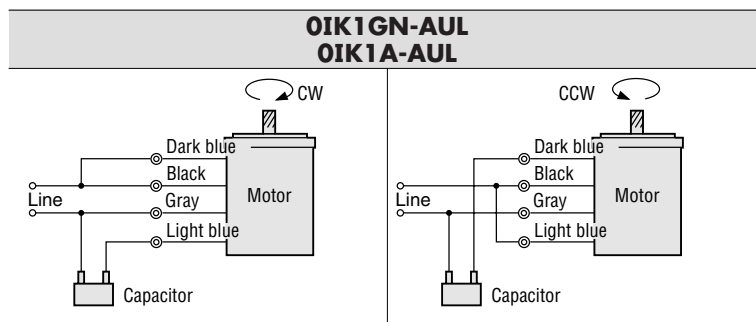
Capacitor (included with the motor)



Motor Model	Capacitor Model	Weight oz. (g)
OIK1GN-AUL	CH10UL	0.6 (17)
OIK1A-AUL		

• If you need to order a capacitor without a motor, add "-C" to the capacitor model name shown. A capacitor cap is included with a capacitor.

Connection Diagrams



- The direction of motor rotation is as viewed from the shaft end of the motor.
- CW represents the clockwise direction, while CCW represents the counterclockwise direction.
- Connection diagrams are also valid for the equivalent round shaft type.
- **How to connect a capacitor** → Page A-225

Note:

• Change the direction of motor rotation only after bringing the motor to a stop. If an attempt is made to change the direction of rotation while the motor is rotating, the motor may ignore reversing command or change its direction of rotation after some delay.