

OPERATING MANUAL

αSTEP

AZ Series Cable Type Motor Edition

Table of contents

Introduction	1	Grounding the motor	10
Safety precautions	1	Inspection and maintenance	10
Precautions for use	2	General specifications	10
Preparation	3	Regulations and standards	11
Installation	5		

Introduction

■ Before use

Only qualified personnel of electrical and mechanical engineering should work with the product.
 Use the product correctly after thoroughly reading the "Safety precautions." In addition, be sure to observe the contents described in warning, caution, and note in this manual.
 The product described in this manual is designed and manufactured to be incorporated in general industrial equipment. Do not use for any other purpose. Oriental Motor Co., Ltd. is not responsible for any compensation for damage caused through failure to observe this warning.

■ Related operating manuals

For operating manuals, download from Oriental Motor Website Download Page or contact your nearest Oriental Motor sales office.




- AZ Series Cable Type OPERATING MANUAL Motor Edition (this document)
- AZ Series / Motorized Actuator equipped with AZ Series OPERATING MANUAL Function Edition

Refer to the operating manual of the driver for contents not described in these manuals.

Safety precautions

The precautions described below are intended to ensure the safe and correct use of the product, and to prevent the customer and others from exposure to the risk of injury. Use the product only after carefully reading and fully understanding these instructions.

Description of signs



	Handling the product without observing the instructions that accompany a "WARNING" symbol may result in serious injury or death.
	Handling the product without observing the instructions that accompany a "CAUTION" symbol may result in injury or property damage.
	The items under this heading contain important handling instructions that the user should observe to ensure the safe use of the product.

Thank you for purchasing an Oriental Motor product.



This Operating Manual describes product handling procedures and safety precautions.

- Please read it thoroughly to ensure safe operation.
- Always keep the manual where it is readily available.


Description of graphic symbols




	Indicates "prohibited" actions that must not be performed.
	Indicates "compulsory" actions that must be performed.

⚠ WARNING

	Do not use the motor in explosive or corrosive environments, in the presence of flammable gases, in places subjected to splashing water, or near combustibles. Doing so may result in fire, electric shock, or injury.
	Do not transport, install, connect, or inspect the motor while the power is supplied. Doing so may result in electric shock.
	Do not forcibly bend, pull, or pinch the cable. Doing so may result in fire or electric shock.
	Do not disassemble or modify the motor. Doing so may result in injury or damage to equipment.
	Assign qualified personnel to the task of installing, wiring, operating/controlling, inspecting, and troubleshooting the motor. Failure to do so may result in fire, electric shock, injury, or damage to equipment.
	Take measures to keep the moving part in position if the product is used in vertical operations such as elevating equipment. Failure to do so may result in injury or damage to equipment.
	Do not use the brake mechanism of the electromagnetic brake motor for braking or as a safety brake. Doing so may result in injury or damage to equipment.
	When an alarm is generated in the driver (any of the driver's protective functions is triggered), take measures to hold the moving part in a specific position since the motor stops and loses its holding torque. Failure to do so may result in injury or damage to equipment.
	Install the motor inside an enclosure. Failure to do so may result in electric shock or injury.
	Be sure to ground the AC input type motor as it is Class I equipment. Failure to do so may result in electric shock.

⚠ CAUTION

	Do not use the motor beyond its specifications. Doing so may result in electric shock, injury, or damage to equipment.
	Keep your fingers and objects out of the openings in the motor. Failure to do so may result in fire, electric shock, or injury.
	Do not touch the motor during operation or immediately after stopping. Doing so may result in a skin burn(s).
	Do not carry the motor by holding the motor output shaft or motor cable. Doing so may result in injury.
	Keep the area around the motor free of combustible materials. Failure to do so may result in fire or a skin burn(s).
	Do not leave anything around the motor that would obstruct ventilation. Doing so may result in damage to equipment.
	Do not touch the rotating part (output shaft) during operation. Doing so may result in injury.

⚠ CAUTION	
	Do not touch the terminals while conducting the insulation resistance measurement or the dielectric strength test. Doing so may cause electric shock.
	Provide a cover over the rotating part (output shaft) of the motor. Failure to do so may result in injury.
	Use a motor and a driver only in the specified combination. An incorrect combination may cause a fire.
	Provide an emergency stop device or emergency stop circuit external to the equipment so that the entire equipment will operate safely in the event of a system failure or malfunction. Failure to do so may result in injury.
	<p>The motor surface temperature may exceed 70 °C (158 °F) even under normal operating conditions. If the operator is allowed to approach the motor in operation, affix a warning label shown in the figure on a conspicuous position. Failure to do so may result in a skin burn(s).</p> <div style="text-align: right;">  Warning label </div>

Precautions for use

This section covers restrictions and requirements the user should consider when using the product.

- **Be sure to use our cable to connect the motor and driver.**

Check on the Oriental Motor Website for the model name of cables.

- **When conducting the insulation resistance measurement or the dielectric strength test, be sure to separate the connection between the motor and the driver.**

Conducting the insulation resistance measurement or dielectric strength test with the motor and driver connected may result in damage to the product.

- **Make sure not to hit or apply a strong impact on the motor output shaft or the encoder (ABZO sensor).**

Applying a strong impact on the motor output shaft or the encoder (ABZO sensor) may cause encoder (ABZO sensor) damage or motor malfunction. The warning label shown in the right is attached on the motor.



Warning label

- **Do not move the encoder (ABZO sensor) toward a strong magnetic field.**

A magnetic sensor is built into the encoder (ABZO sensor). If the motor is installed close to equipment which generates a strong magnetic field, the encoder (ABZO sensor) may break or malfunction. Keep the magnetic flux density on the surface of the encoder (ABZO sensor) so as not to exceed the values in the table. Check the manufacturing date of a motor with the nameplate.

Motor manufacturing date	Motor frame size	Magnetic flux density	
		When transporting and storing	When operating
After October 2023	All sizes	10 mT	10 mT
Before September 2023	28 mm (1.10 in.) or less	5 mT	2 mT*
	42 mm (1.65 in.) or more	10 mT	10 mT

* When the magnetic flux density is exceeding 1 mT and 2 mT or less, use in an environment where the operating ambient temperature is exceeding 20 °C (68 °F) and 40 °C (104 °F) or less.

- **Meshing noise of mechanical sensor**

A gear type mechanical sensor is built into the encoder (ABZO sensor). Although the meshing noise of gears may generate, it is not malfunction.

- **Do not apply a radial load and axial load in excess of the specified permissible limit**

Continuing to operate the motor under an excessive radial load or axial load may damage the bearings (ball bearings). Be sure to operate the motor within the specified permissible limit of radial load and axial load.

- **Use the motor in conditions where the motor surface temperature does not exceed 80 °C (176 °F).**

The surface temperature on the motor case may exceed 80 °C (176 °F) depending on operating conditions such as ambient temperature, operating speed, duty cycle, and others. In order to protect the encoder (ABZO sensor), use the motor so that the surface temperature on the motor case does not exceed 80 °C (176 °F). If the encoder (ABZO sensor) temperature reaches the upper limit, an alarm of Motor overheat will be generated.

Use the geared motor in conditions where the gear case temperature does not exceed 70 °C (158 °F), in order to prevent deterioration of grease and parts in the gear case.

- **Holding torque at standstill**

The motor holding torque is reduced by the current cutback function of the driver at motor standstill. When selecting a motor, check the holding torque at motor standstill in the specifications on the catalog.

- **Do not use the electromagnetic brake to reduce speed or as a safety brake.**

Do not use the electromagnetic brake as a means to decelerate and stop the motor. The brake hub of the electromagnetic brake will wear significantly and the braking force will drop. Since the power off activated type electromagnetic brake is equipped, it helps maintain the position of the load when the power is cut off, but this brake cannot securely hold the load in place. Accordingly, do not use the electromagnetic brake as a safety brake. To use the electromagnetic brake to hold the load in place, do so after the motor has stopped.

- **Noise elimination measures**

For measures with regard to noise, refer to the operating manual of the driver.

- **Make sure to provide measures so that the key is not flown off when operating the motor with key in a state where a load is not installed.**

Flying off the key may result in injury or damage to equipment.

- **Grease of encoder (ABZO sensor) and geared motor**

On rare occasions, a small amount of grease may ooze out from the following places.

- Encoder (ABZO sensor) mechanical part [motors of frame size 20 mm (0.79 in.) and 28 mm (1.10 in.)]
- Geared motor

If there is concern over possible environmental damage resulting from the leakage of grease, check for grease stains during regular inspections. Alternatively, install an oil pan or other device to prevent leakage from causing further damage. Oil leakage may lead to problems in the customer's equipment or products.

- **Peak torque of geared motor**

Always operate the geared motor under a load not exceeding the peak torque. If the load exceeds the peak torque, the gear will be damaged.

- **Rotation direction of the gear output shaft**

The relationship between the rotation direction of the motor output shaft and that of the gear output shaft changes as follows, depending on the gear type and gear ratio.

Type of gear	Gear ratio	Rotation direction (relative to the motor rotation direction)
TS geared	3,6, 7,2, 10	Same direction
	20, 30	Opposite direction
FC geared, PS geared, HPG geared	All gear ratios	Same direction
PN geared	10	Same direction
Harmonic geared	All gear ratios	Opposite direction

- Do not perform push-motion operation with geared motor.

Doing so may cause damage to the motor or gear part.

■ Notes when the connection cable is used

Note the following points when our cable is used.

• When inserting the connector

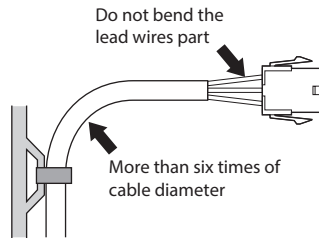
Hold the connector main body, and insert it in straight securely. Inserting the connector in an inclined state may result in damage to terminals or a connection failure.

• When pulling out the connector

Pull out the connector in straight while releasing the lock part of the connector. Pulling out the connector with holding the cable may result in damage to the connector.

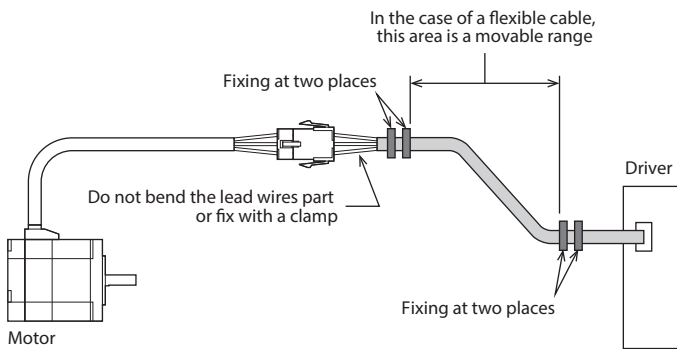
• Bending radius of cable

Use the cable in a state where the bending radius of the cable is more than six times of the cable diameter. Do not bend the lead wires part or fix it with a clamp. Doing so may cause damage to the connector.



• How to fix the cable

Fix the cable at two places near the connectors as shown in the figure, or fix it with a wide clamp in order to take measures to prevent the connectors from being stressed.



Preparation

■ Checking the product

Verify that the items listed below are included. Report any missing or damaged items to the Oriental Motor sales office from which you purchased the product.

- Motor 1 unit
- Parallel key 1 pc. *1
- Motor mounting screw (M4)..... 4 pcs. *2
- Motor mounting screw (M8)..... 4 pcs. *3
- Instructions and Precautions for Safe Use..... 1 copy
- APPENDIX UL Standards for **AZ** Series 1 copy *4

*1 It is included in the products of the standard type with a key and the geared type. The following motors are excluded.

- **AZM24-FC**
- **AZM24-PS**
- **AZM24-N**
- **AZM24-HS**
- **AZM46-TS**
- **HPG** geared flange output type

*2 Included with **AZM66-TS**.

*3 Included with **AZM98-TS**.

*4 Included with products conform to the UL Standards.

■ How to identify the product model

Check the model name of the motor against the number shown on the nameplate.

● Standard type

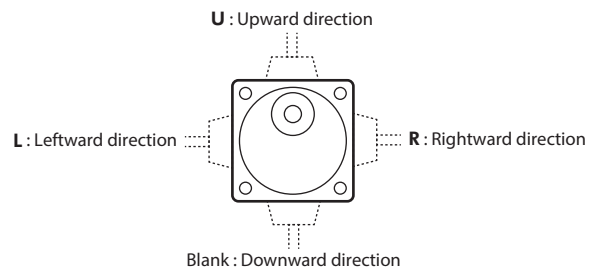
AZM 6 6 A 0 K F
1 2 3 4 5 6 7

● Geared type (except the FC geared type)

AZM 6 6 A C - HP 15 F
1 2 3 4 6 8 9 10

1	Series name	AZM: AZ Series motor
2	Motor frame size	1: 20 mm (0.79 in.) 2: 28 mm (1.10 in.) [30 mm (1.18 in.) for Harmonic geared type] 4: 42 mm (1.65 in.) [40 mm (1.57 in.) for HPG geared type] 6: 60 mm (2.36 in.) 9: 85 mm (3.35 in.) [90 mm (3.54 in.) for geared type]
3	Motor length	
4	Motor shaft features	A: Single shaft M: With electromagnetic brake
5	Additional function	O: Round shaft type 1: With key Blank: Round shaft with shaft flat on one side
6	Motor power supply input	C: AC power input type K: DC power input type
7	Cable outlet direction	F: Horizontal direction with respect to motor (DC power input type only)
8	Type of gear	TS: TS geared PS: PS geared N: PN geared HP: HPG geared HS: Harmonic geared
9	Gear ratio	
10	Varies depending on the gear type.	<ul style="list-style-type: none"> • TS geared type: Cable outlet direction * U: Upward direction R: Rightward direction L: Leftward direction Blank: Downward direction • HPG geared type: Output shaft type Blank: Shaft output type F: Flange output type

* The cable outlet direction represents the direction as seen from the front face in a state where the output shaft is placed upward.

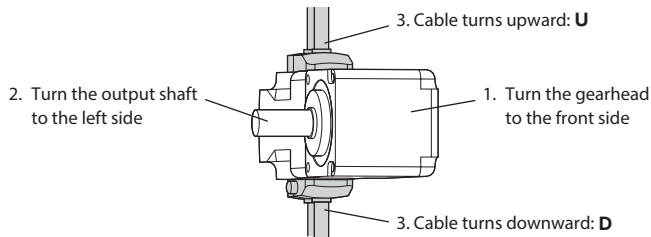


● FC geared type

AZM 6 6 A C - FC 7.2 U A
 1 2 3 4 5 6 7 8 9

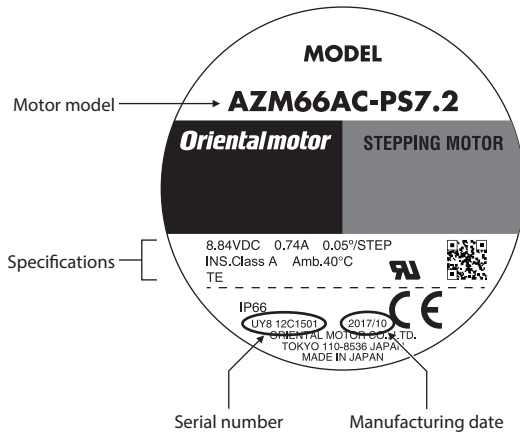
1	Series name	AZM: AZ Sereis motor
2	Motor frame size	2: 35 mm (1.38 in.) 4: 42 mm (1.65 in.) 6: 60 mm (2.36 in.)
3	Motor length	
4	Motor shaft features	A: Single shaft M: With electromagnetic brake
5	Motor power supply input	C: AC power input type K: DC power input type
6	Type of gear	FC: FC geared
7	Gear ratio	
8	Cable outlet direction *	D: Downward direction U: Upward direction
9	Motor identification	A: Solid shaft

* Check the cable outlet direction as shown in the figure.



■ Information about nameplate

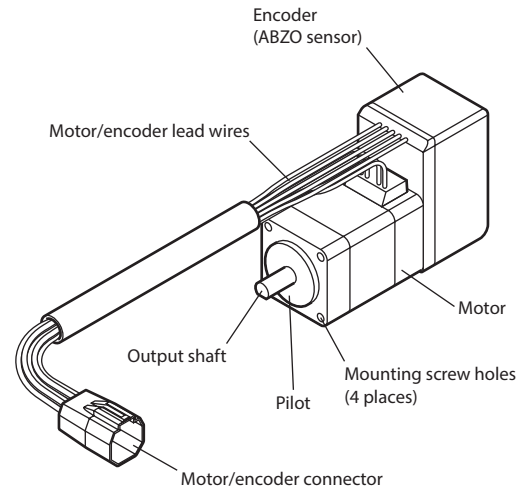
The figure shows an example.



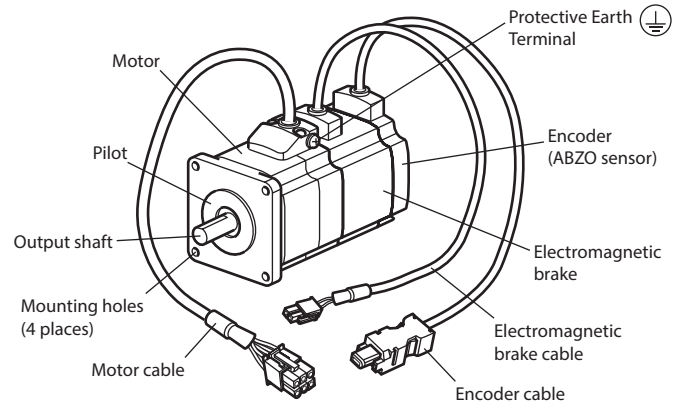
The position describing the information may vary depending on the product.

■ Names of parts

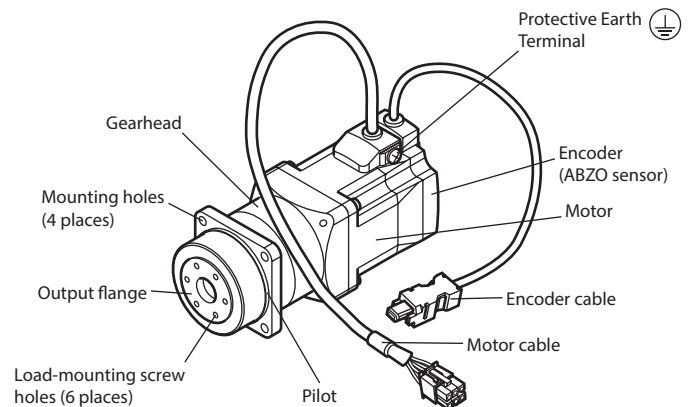
● Standard type (Example: AZM14AK)



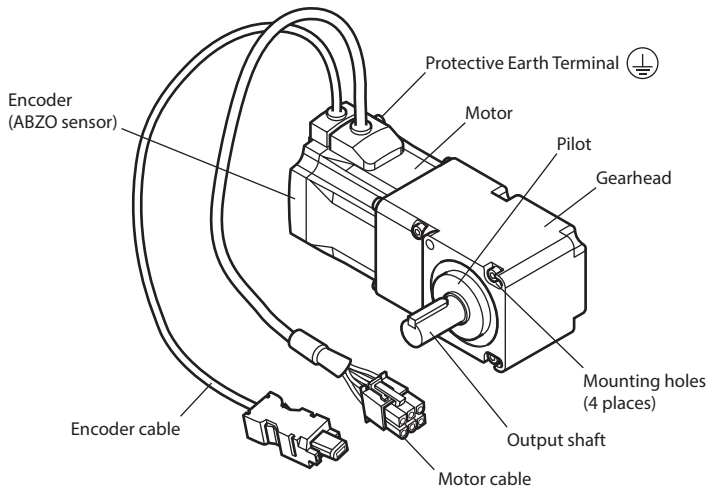
● Standard type with electromagnetic brake (Example: AZM66MC)



● HPG geared flange output type (Example: AZM66AC-HP5F)



● **FC geared type (Example: AZM66AC-FC7.2UA)**



Installation

■ **Installation location**

The motor is designed and manufactured to be incorporated in equipment. Install it in a well-ventilated location that provides easy access for inspection. The location must also satisfy the following conditions:

- Inside an enclosure that is installed indoors (provide vent holes)
- Operating ambient temperature: 0 to +40 °C (+32 to +104 °F) (non-freezing)
- Operating ambient humidity 85 % or less (non-condensing)
- Area free of explosive atmosphere or toxic gas (such as sulfuric gas) or liquid
- Area not exposed to direct sun
- Area free of excessive amount of dust, iron particles or the like
- Area not subject to splashing water (rain, water droplets), oil (oil droplets) or other liquids
- Area free of excessive salt
- Area not subject to continuous vibrations or excessive shocks
- Area free of excessive electromagnetic noise (from welders, power machinery, etc.)
- Area free of radioactive materials, magnetic fields or vacuum
- 1,000 m (3,300 ft.) or lower above sea level

● **If a motor is installed in an environment where a magnetic field is generated**

A magnetic sensor is built into the encoder (ABZO sensor). If the motor is installed close to equipment which generates a strong magnetic field, the encoder (ABZO sensor) may break or malfunction. Keep the magnetic flux density on the surface of the encoder (ABZO sensor) so as not to exceed the values in the table. Check the manufacturing date of a motor with the nameplate.

Motor manufacturing date	Motor frame size	Magnetic flux density
After October 2023	All sizes	10 mT
Before September 2023	28 mm (1.10 in.) or less	2 mT*
	42 mm (1.65 in.) or more	10 mT

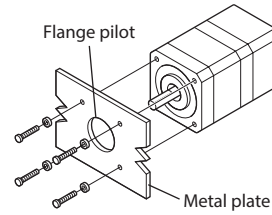
* When the magnetic flux density is exceeding 1 mT and 2 mT or less, use in an environment where the operating ambient temperature is exceeding 20 °C (68 °F) and 40 °C (104 °F) or less.

Note Do not install the motor close to equipment which generates a strong magnetic field.

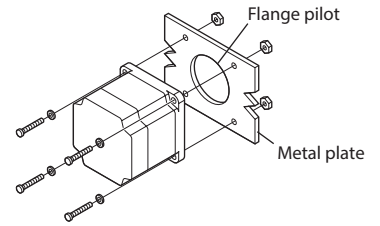
■ **Installation method**

The motor can be installed in any direction. To allow for heat dissipation and prevent vibration, install the motor on a metal surface of sufficient strength.

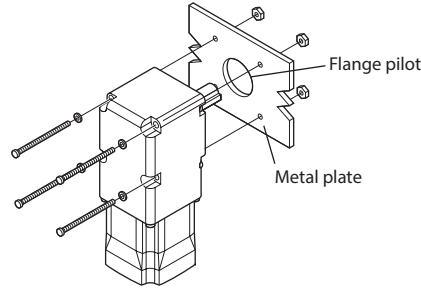
● **Installation method A**



● **Installation method B**



● **Installation method B (For FC geared type)**

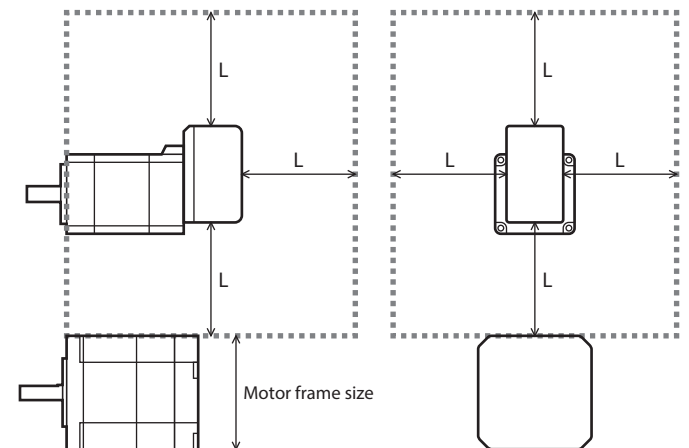


● **Installation for motors of frame size 20 mm (0.79 in.) and 28 mm (1.10 in.)**

Since the encoder (ABZO sensor) for the motors of frame size 20 mm (0.79 in.) and 28 mm (1.10 in.) are easily affected by a magnetic field, make sure the installation location.

When installing two or more motors side by side, provide more clearance around the encoder than specified in the table. Check the manufacturing date of a motor with the nameplate.

Motor manufacturing date	Distance from ABZO sensor (L)
After October 2023	2 mm (0.08 in.)
Before September 2023	Motor frame size



● Nominal size, tightening torque and installation method

The values of the tightening torque are recommended. Tighten the screws to a torque appropriate for the design condition of the metal surface being installed.

● Standard type

Motor model	Nominal size	Tightening torque [N·m (oz-in)]	Effective depth of screw thread [mm (in.)]	Installation method
AZM14 AZM15	M2	0.25 (35)	2.5 (0.098)	A
AZM24 AZM26	M2.5	0.5 (71)	2.5 (0.098)	A
AZM46 AZM48	M3	1 (142)	4.5 (0.177)	A
AZM66 AZM69	M4	2 (280)	–	B
AZM98 AZM911	M6	3 (420)	–	B

● TS geared type

Motor model	Nominal size	Tightening torque [N·m (oz-in)]	Effective depth of screw thread [mm (in.)]	Installation method
AZM46	M4	1.4 (198)	8 (0.315)	A
AZM66	M4	1.4 (198)	–	B
AZM98	M8	4 (560)	–	B

● FC geared type

Motor model	Nominal size	Tightening torque [N·m (oz-in)]	Effective depth of screw thread [mm (in.)]	Installation method
AZM24	M3	1 (142)	–	B
AZM46	M4	2 (280)	–	B
AZM66	M5	2.5 (350)	–	B

● PS geared type

Motor model	Nominal size	Tightening torque [N·m (oz-in)]	Effective depth of screw thread [mm (in.)]	Installation method
AZM24	M3	1 (142)	6 (0.236)	A
AZM46	M4	2 (280)	8 (0.315)	A
AZM66	M5	2.5 (350)	10 (0.394)	A
AZM98	M8	4 (560)	15 (0.591)	A

● PN geared type

Motor model	Nominal size	Tightening torque [N·m (oz-in)]	Effective depth of screw thread [mm (in.)]	Installation method
AZM24	M3	1 (142)	6 (0.236)	A

● HPG geared type

Motor model	Nominal size	Tightening torque [N·m (oz-in)]	Effective depth of screw thread [mm (in.)]	Installation method
AZM46	M3	1 (142)	–	B
AZM66	M5	2.5 (350)	–	B
AZM98	M8	4 (560)	–	B

● Harmonic geared type

Motor model	Nominal size	Tightening torque [N·m (oz-in)]	Effective depth of screw thread [mm (in.)]	Installation method
AZM24	M3	1 (142)	6 (0.236)	A
AZM46	M4	2 (280)	8 (0.315)	A
AZM66	M5	2.5 (350)	10 (0.394)	A
AZM98	M8	4 (560)	–	B

■ Installing a load

When installing a load to the motor, align the centers of the motor output shaft and load shaft. When installing a coupling or pulley on the motor output shaft, do so without damaging the output shaft and bearings (ball bearings).

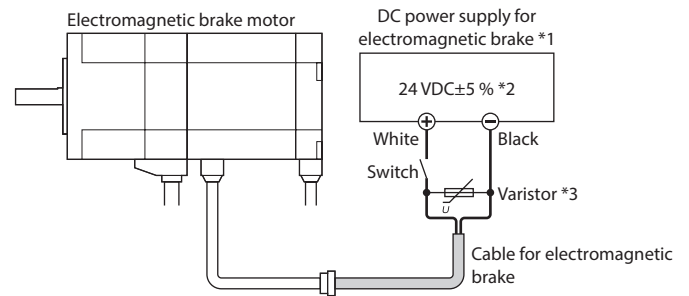
● Electromagnetic brake motor

To release the electromagnetic brake and install the load, a DC power supply is needed to power the electromagnetic brake.

Connect the DC power supply (24 VDC±5 %) to the motor using the "cable for electromagnetic brake."



If a cable for mini Driver is used, the electromagnetic brake cannot be released using a DC power supply. Refer to the operating manual of the mini Driver for how to release the electromagnetic brake.



*1 The power supply current capacities are as follows.

AZM46: 0.08 A or more

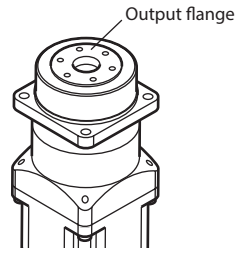
AZM66, AZM69, AZM98: 0.25 A or more

*2 If the distance between the motor and driver is extended to 20 m (65.6 ft.), use a power supply of 24 VDC±4 %.

*3 Provide a varistor to protect the contact of the switch or to prevent electrical noise. [Recommended varistor: Z15D121 (SEMITEC Corporation)].

● HPG geared flange output type

When installing a load on the **HPG** geared flange output type, use the load-mounting screw holes on the output flange.



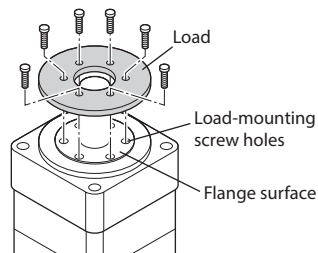
Load-mounting screw hole

Motor model	Number of screw holes	Nominal size	Tightening torque [N·m (oz-in)]	Effective depth of screw thread [mm (in.)]
AZM46	3 places	M4	4.5 (630)	6 (0.236)
AZM66	6 places	M4	4.5 (630)	7 (0.276)
AZM98	6 places	M6	15.3 (2,100)	10 (0.394)

Note Since the tightening torque for the load-mounting screw is large, using a mechanically weak load or screws may cause damage. Satisfy the following conditions for the load and mounting screws. Also, be sure to tighten with the specified torque.
Material of load: Steel
Mounting screw: Use a screw which tensile strength ranking is 12.9 or higher

● When a load is installed on the flange surface of the Harmonic geared type

For the Harmonic geared type (except **AZM98**), a load can be installed directly on the gear using the load-mounting screw holes provided on the flange surface.



Load-mounting screw hole

Motor model	Nominal size	Number of screws	Tightening torque [N·m (oz-in)]	Effective depth of screw thread [mm (in.)]
AZM24	M3	4	1.4 (198)	4 (0.16)
AZM46	M3	6	1.4 (198)	5 (0.20)
AZM66	M4	6	2.5 (350)	6 (0.24)

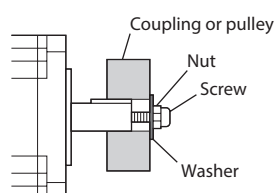
memo

- When installing a load on the flange surface, the load cannot be mounted using the key slot in the output shaft.
- Design an appropriate installation layout so that the load will not contact the metal plate or screws used for installing the motor.

● When a coupling or a pulley is installed

When installing a coupling or pulley on the output shaft, do not apply a strong force to the output shaft. For the standard motor, in particular, a mechanical impact may cause damage to the encoder (ABZO sensor).
When installing a coupling or pulley on the standard motor with a parallel key, utilize the screw hole on the shaft end.

1. Install a coupling (pulley) on the motor output shaft.
2. Install a screw, nut, and washer on the end of the output shaft, and push the coupling (pulley) and secure with tightening the screw.



■ Permissible radial load, permissible axial load and permissible moment load

Note Failure due to fatigue may occur when the motor output shaft and the bearings (ball bearings) are subject to repeated loading by a radial or axial load that is in excess of the permissible limit.

memo For the **PS** geared type, **PN** geared type, and **HPG** geared type, the permissible values are set to values that meet the service life of 20,000 hours when either the radial load or the axial load is applied.

● Permissible radial load

● Standard type

Motor model	Permissible radial load [N (lb.)]				
	Distance from the tip of motor output shaft [mm (in.)]				
	0 (0)	5 (0.2)	10 (0.39)	15 (0.59)	20 (0.79)
AZM14 AZM15	12 (2.7)	15 (3.3)	–	–	–
AZM24 AZM26	25 (5.6)	34 (7.6)	52 (11.7)	–	–
AZM46	35 (7.8)	44 (9.9)	58 (13)	85 (19.1)	–
AZM48	30 (6.7)	35 (7.8)	44 (9.9)	58 (13)	85 (19.1)
AZM66 AZM69	90 (20)	100 (22)	130 (29)	180 (40)	270 (60)
AZM98 AZM911	260 (58)	290 (65)	340 (76)	390 (87)	480 (108)

● TS geared type

Motor model	Gear ratio	Permissible radial load [N (lb.)]				
		Distance from the tip of motor output shaft [mm (in.)]				
		0 (0)	5 (0.2)	10 (0.39)	15 (0.59)	20 (0.79)
AZM46	3.6, 7.2, 10	20 (4.5)	30 (6.7)	40 (9)	50 (11.2)	–
	20, 30	40 (9)	50 (11.2)	60 (13.5)	70 (15.7)	–
AZM66	3.6, 7.2, 10	120 (27)	135 (30)	150 (33)	165 (37)	180 (40)
	20, 30	170 (38)	185 (41)	200 (45)	215 (48)	230 (51)
AZM98	3.6, 7.2, 10	300 (67)	325 (73)	350 (78)	375 (84)	400 (90)
	20, 30	400 (90)	450 (101)	500 (112)	550 (123)	600 (135)

● FC geared type

Motor model	Gear ratio	Permissible radial load [N (lb.)]				
		Distance from the tip of motor output shaft [mm (in.)]				
		0 (0)	5 (0.2)	10 (0.39)	15 (0.59)	20 (0.79)
AZM24	All gear ratios	80 (18)	120 (27)	180 (40)	230 (51)	–
AZM46		180 (40)	200 (45)	220 (49)	250 (56)	–
AZM66		270 (60)	290 (65)	310 (69)	330 (74)	350 (78)

• PS geared type

Motor model	Gear ratio	Permissible radial load [N (lb.)]				
		Distance from the tip of motor output shaft [mm (in.)]				
		0 (0)	5 (0.2)	10 (0.39)	15 (0.59)	20 (0.79)
AZM24	All gear ratios	45 (10.1)	60 (13.5)	80 (18)	100 (22)	–
AZM46	5	70 (15.7)	80 (18)	95 (21)	120 (27)	–
	7.2	80 (18)	90 (20)	110 (24)	140 (31)	–
	10	85 (19.1)	100 (22)	120 (27)	150 (33)	–
	25	120 (27)	140 (31)	170 (38)	210 (47)	–
	36	130 (29)	160 (36)	190 (42)	240 (54)	–
AZM66	50	150 (33)	170 (38)	210 (47)	260 (58)	–
	5	170 (38)	200 (45)	230 (51)	270 (60)	320 (72)
	7.2	200 (45)	220 (49)	260 (58)	310 (69)	370 (83)
	10	220 (49)	250 (56)	290 (65)	350 (78)	410 (92)
	25	300 (67)	340 (76)	400 (90)	470 (105)	560 (126)
AZM98	36	340 (76)	380 (85)	450 (101)	530 (119)	630 (141)
	50	380 (85)	430 (96)	500 (112)	600 (135)	700 (157)
	5	380 (85)	420 (94)	470 (105)	540 (121)	630 (141)
	7.2	430 (96)	470 (105)	530 (119)	610 (137)	710 (159)
	10	480 (108)	530 (119)	590 (132)	680 (153)	790 (177)
AZM98	25	650 (146)	720 (162)	810 (182)	920 (200)	1,070 (240)
	36	730 (164)	810 (182)	910 (200)	1,040 (230)	1,210 (270)
	50	820 (184)	910 (200)	1,020 (220)	1,160 (260)	1,350 (300)

• PN geared type

Motor model	Gear ratio	Permissible radial load [N (lb.)]				
		Distance from the tip of motor output shaft [mm (in.)]				
		0 (0)	5 (0.2)	10 (0.39)	15 (0.59)	20 (0.79)
AZM24	10	45 (10.1)	60 (13.5)	80 (18)	100 (22)	–

• HPG geared shaft output type

Motor model	Gear ratio	Permissible radial load [N (lb.)]				
		Distance from the tip of motor output shaft [mm (in.)]				
		0 (0)	5 (0.2)	10 (0.39)	15 (0.59)	20 (0.79)
AZM46	5	150 (33)	170 (38)	190 (42)	230 (51)	270 (60)
	9	180 (40)	200 (45)	230 (51)	270 (60)	320 (72)
AZM66	5	250 (56)	270 (60)	300 (67)	330 (74)	360 (81)
	15	360 (81)	380 (85)	420 (94)	460 (103)	510 (114)
AZM98	5	600 (135)	630 (141)	670 (150)	710 (159)	750 (168)
	15	830 (186)	880 (198)	930 (200)	980 (220)	1,050 (230)

• Harmonic geared type

Motor model	Gear ratio	Permissible radial load [N (lb.)]				
		Distance from the tip of motor output shaft [mm (in.)]				
		0 (0)	5 (0.2)	10 (0.39)	15 (0.59)	20 (0.79)
AZM24	All gear ratios	100 (22)	135 (30)	175 (39)	250 (56)	–
AZM46		180 (40)	220 (49)	270 (60)	360 (81)	510 (114)
AZM66		320 (72)	370 (83)	440 (99)	550 (123)	720 (162)
AZM98		1,090 (240)	1,150 (250)	1,230 (270)	1,310 (290)	1,410 (310)

● Permissible axial load

Type	Motor model	Gear ratio	Permissible axial load [N (lb.)]		
Standard	AZM14 AZM15	–	3 (0.67)		
	AZM24 AZM26		5 (1.12)		
	AZM46 AZM48		15 (3.3)		
	AZM66 AZM69		30 (6.7)		
	AZM98 AZM911		60 (13.5)		
TS geared	AZM46 AZM66 AZM98	All gear ratios	15 (3.3) 40 (9) 150 (33)		
	AZM24 AZM46 AZM66	All gear ratios	80 (18) 100 (22) 200 (45)		
			AZM24 AZM46 AZM66 AZM98	All gear ratios	40 (9) 100 (22) 200 (45) 600 (135)
PN geared					AZM24
HPG geared	AZM46 AZM66 AZM98	5			430 (96)
		9			510 (114)
		5	700 (157)		
15	980 (220)				
5	1,460 (320)				
15	2,030 (450)				
Harmonic geared	AZM24 AZM46 AZM66 AZM98	All gear ratios	140 (31) 220 (49) 450 (101) 1,300 (290)		

● Permissible moment load

When installing an arm or table on the flange surface, calculate the moment load using the formula below if the flange surface receives any eccentric load. The moment load should not exceed the permissible value specified in the table.

● HPG geared flange output type

Motor model	Gear ratio	Permissible moment load [N·m (oz-in)]
AZM46	5	4.9 (43)
	9	5.9 (52)
AZM66	5	12 (106)
	15	17.2 (152)
AZM98	5	38.7 (340)
	15	53.5 (470)



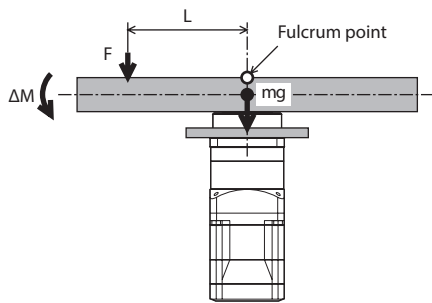
The permissible moment load of the **HPG** geared type represents the value that the service life of the gear part satisfies 20,000 hours.

How to read a code

- m: Mass of a load (kg)
- g: Gravitational acceleration (m/s^2)
- F: External force (N)
- L: Overhang distance (m)
- a: Constant (m)
- ΔF : Load applied on the output flange surface (N)
- F_s : Permissible axial load (N)
- ΔM : Load moment (N·m)
- M: Permissible moment load (N·m)

Example 1; When an external force F(N) is applied on a position overhanging by L (m) from the center of the output flange in the horizontal direction

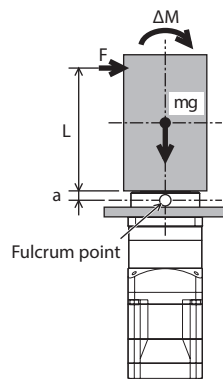
- Load moment
 $\Delta M = F \cdot L$
 $\Delta M \leq M$
- Axial load
 $\Delta F = F + m \cdot g$
 $\Delta F \leq F_s$



Example 2; When an external force F(N) is applied on a position overhanging by L (m) from the output flange mounting surface in the vertical direction

- Load moment
 $\Delta M = F \cdot (L + a)$
 $\Delta M \leq M$
- Axial load
 $\Delta F = m \cdot g$
 $\Delta F \leq F_s$

Motor model	Coefficient "a"
AZM46	0.006
AZM66	0.011
AZM98	0.0115



● Harmonic geared type

The **AZM98** type is excluded.

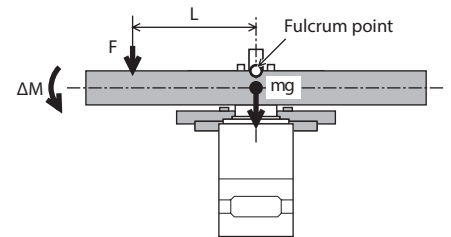
Motor model	Permissible moment load (N·m)
AZM24	2.9
AZM46	5.6
AZM66	11.6

How to read a code

- m: Mass of a load (kg)
- g: Gravitational acceleration (m/s^2)
- F: External force (N)
- L: Overhang distance (m)
- a: Constant (m)
- ΔF : Load applied on the output flange surface (N)
- F_s : Permissible axial load (N)
- ΔM : Load moment (N·m)
- M: Permissible moment load (N·m)

Example 1; When an external force F(N) is applied on a position overhanging by L (m) from the center of the output flange in the horizontal direction

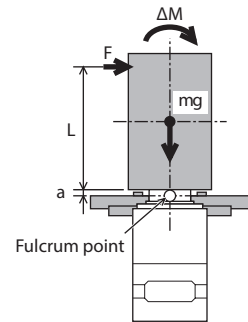
- Load moment
 $\Delta M = F \cdot L$
 $\Delta M \leq M$
- Axial load
 $\Delta F = F + m \cdot g$
 $\Delta F \leq F_s$



Example 2; When an external force F(N) is applied on a position overhanging by L (m) from the output flange mounting surface in the vertical direction

- Load moment
 $\Delta M = F \cdot (L + a)$
 $\Delta M \leq M$
- Axial load
 $\Delta F = m \cdot g$
 $\Delta F \leq F_s$

Motor model	Coefficient "a"
AZM24	0.0073
AZM46	0.009
AZM66	0.0114



Grounding the motor

It is not necessary to provide a protective earth for motors of the DC input type. Ground the functional earth terminal (M4) if necessary.

The AC input type motor can be grounded by connecting the protective earth wire of the connection cable to the protective earth terminal of the driver. However, if the grounding of the protective earth wire of the connection cable does not satisfy the grounding resistance required by the applicable standard of the equipment, the protective earth terminal of the motor must also be grounded.

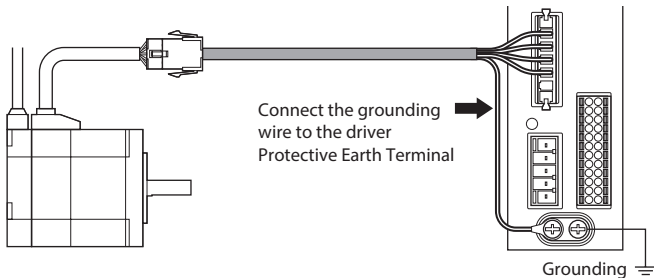


Do not share the grounding wire with a welder or power equipment.

1) Grounding the grounding wire of the motor

Connect the protective earth wire of the connection cable to the protective earth terminal of the driver.

	Connection cable	Flexible connection cable
Conductor wire size	AWG18 (0.75 mm ²)	AWG18 (0.75 mm ²)
Maximum conductor resistance	21.8 Ω/km	25.6 Ω/km
Tightening torque	1.2 N·m	

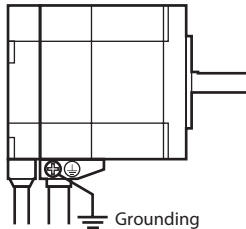


2) Grounding the Protective Earth Terminal of the motor

Be sure to ground the Protective Earth Terminal of the motor.

Use a round terminal when grounding, and be sure to secure it with a screw and washer. Ground wires and crimp terminals are not included.

- Grounding wire: AWG18 (0.75 mm²) or more
- Nominal size: M4
- Tightening torque: 1.2 N·m (170 oz-in)



Inspection and maintenance

■ Inspection

It is recommended that periodic inspections would be conducted for the items listed below after each operation of the motor. If an abnormal condition is noted, discontinue any use and contact your nearest Oriental Motor sales office.

● Inspection item

- Check if any of the screws having installed the motor is loose.
- Check if an unusual noise is generated from a bearing part (ball bearings) of the motor.
- Check if a damage or stress is applied on the cable.
- Check if any of the connection parts of the driver is loose.
- Check if the motor output shaft and the load shaft are out of alignment.

■ Warranty

Check on the Oriental Motor Website for the product warranty.

■ Disposal

Dispose the product correctly in accordance with laws and regulations, or instructions of local governments.

General specifications

Degree of protection	Excluding the mounting surface and connectors. IP40: AZM14, AZM15, AZM24, AZM26, AZM46 (*1), AZM48 (*1), AZM66 (*1), AZM69 (*1) IP66: Motors other than the above types	
Operation environment	Ambient temperature	0 to +40 °C (+32 to +104 °F) (non-freezing) *2
	Humidity	85 % or less (non-condensing)
	Altitude	Up to 1,000 m (3,300 ft.) above sea level
	Surrounding atmosphere	No corrosive gas, dust, water or oil
Storage environment	Ambient temperature	-20 to +60 °C (-4 to +140 °F) (non-freezing)
	Humidity	85 % or less (non-condensing)
Shipping environment	Altitude	Up to 3,000 m (10,000 ft.) above sea level
	Surrounding atmosphere	No corrosive gas, dust, water or oil
Insulation resistance	100 MΩ or more when 500 VDC megger is applied between the following places: • Case - Motor windings • Case - Electromagnetic brake windings	
Dielectric strength	Sufficient to withstand the following for 1 minute: • AC power input type • Case - Motor windings 1.5 kVAC 50/60 Hz • Case - Electromagnetic brake windings 1.5 kVAC 50/60 Hz • DC power input type • Case - Motor windings 1.0 kVAC 50/60 Hz *3 • Case - Electromagnetic brake windings 1.0 kVAC 50/60 Hz *3	

*1 When the cable outlet direction is in the horizontal direction with respect to the motor.

*2 Based on our measurement conditions.

*3 0.5 kVAC 50/60 Hz for **AZM14, AZM15, AZM24, and AZM26**

Regulations and standards

■ UL Standards

This product is recognized by UL under UL and CSA Standards. Check the "APPENDIX UL Standards for **AZ** Series" for recognition information about UL Standards.

■ CE Marking / UKCA Marking

The AC input type motor is affixed with the marks under the following directives/regulations.

● EU Low Voltage Directive / UK Electrical Equipment (Safety) Regulations

- This product cannot be used in IT power distribution systems.
- Isolate the motor cable, power-supply cable and other drive cables from the signal cables by means of double insulation.

● Installation conditions

- Incorporating in equipment
- Overvoltage category: II
- Pollution degree: 3
- Degree of protection: IP66
- Protection against electric shock: Class I

● EU EMC Directive / UK EMC Regulations

The EMC test is conducted in a state where the motor is connected to the driver. The driver that is combined with the motor complies with the EMC Directive/Regulations. Refer to the operating manual of the driver for details.

● EU RoHS Directive / UK RoHS Regulations

This product does not contain the substances exceeding the restriction values.

- Unauthorized reproduction or copying of all or part of this manual is prohibited.
- Oriental Motor shall not be liable whatsoever for any problems relating to industrial property rights arising from use of any information, circuit, equipment or device provided or referenced in this manual.
- Characteristics, specifications and dimensions are subject to change without notice.
- While we make every effort to offer accurate information in the manual, we welcome your input. Should you find unclear descriptions, errors or omissions, please contact your nearest Oriental Motor sales office.
- **Orientalmotor**, ***αSTEP***, and ABZO sensor are registered trademarks or trademarks of Oriental Motor Co., Ltd., in Japan and other countries.

© Copyright ORIENTAL MOTOR CO., LTD. 2013

Published in February 2025

- Please contact your nearest Oriental Motor office for further information.

ORIENTAL MOTOR U.S.A. CORP.
Technical Support Tel:800-468-3982
8:30am EST to 5:00pm PST (M-F)

ORIENTAL MOTOR (EUROPA) GmbH
Schiesstraße 44, 40549 Düsseldorf, Germany
Technical Support Tel:00 800/22 55 66 22

ORIENTAL MOTOR (UK) LTD.
Unit 5 Faraday Office Park, Rankine Road,
Basingstoke, Hampshire RG24 8QB UK
Tel:+44-1256347090

ORIENTAL MOTOR (FRANCE) SARL
Tel:+33-1 47 86 97 50

ORIENTAL MOTOR ITALIA s.r.l.
Tel:+39-02-93906347

ORIENTAL MOTOR CO., LTD.
4-8-1Higashiueno,Taito-ku,Tokyo 110-8536
Japan
Tel:+81-3-6744-0361
www.orientalmotor.co.jp/ja

ORIENTAL MOTOR ASIA PACIFIC PTE. LTD.
Singapore
Tel:1800-842-0280

ORIENTAL MOTOR (MALAYSIA) SDN. BHD.
Tel:1800-806-161

ORIENTAL MOTOR (THAILAND) CO., LTD.
Tel:1800-888-881

ORIENTAL MOTOR (INDIA) PVT. LTD.
Tel:1800-120-1995 (For English)
1800-121-4149 (For Hindi)

TAIWAN ORIENTAL MOTOR CO., LTD.
Tel:0800-060708

SHANGHAI ORIENTAL MOTOR CO., LTD.
Tel:400-820-6516

INA ORIENTAL MOTOR CO., LTD.
Korea
Tel:080-777-2042